



293 Wright St., Delavan, WI 53115  
Phone: 1-800-468-7867  
Fax: 1-800-390-5351

OWNER'S MANUAL  
**Submersible Pumps**

Two and Three Wire, 1/2 thru 1 1/2 HP, 60 Hz.

---

NOTICE D'UTILISATION  
**Pompe submersible**

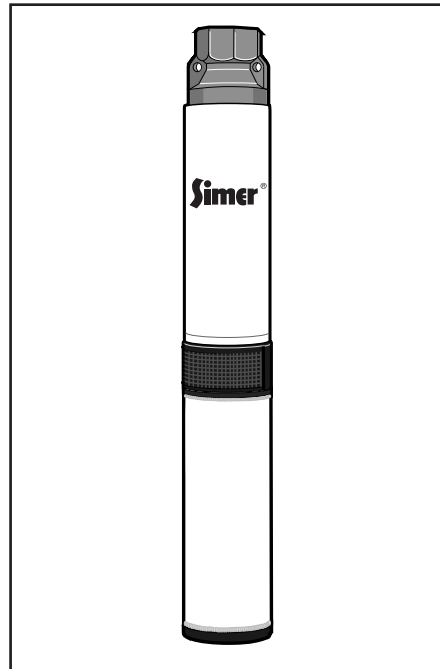
à deux et trois fils, de 1/2 à 1 1/2 ch, 60 Hz

---

MANUAL DEL USUARIO  
**Bombas sumergibles**

de dos y tres hilos, 1/2 a 1 1/2 CV, 60 Hz

---



**Installation/Operation/Parts**

*For further operating,  
installation, or maintenance  
assistance:*

**Call 1-800-468-7867**

**English ..... Pages 2-12**

**Installation/Fonctionnement/Pièces**

*Pour plus de renseignements  
concernant l'utilisation,  
l'installation ou l'entretien,*

**Composer le 1 (800) 468-7867**

**Français ..... Pages 13-24**

**Instalación/Operación/Piezas**

*Para mayor información sobre  
el funcionamiento, instalación o  
mantenimiento de la bomba:*

**Llame al 1-800-468-7867**

**Español .....Paginas 25-36**

Carefully read and follow all safety instructions in this manual or on pump.

**⚠ This is the safety-alert.** When you see this symbol on your pump or in this manual, look for one of the following signal words and be alert to the potential for personal injury.

**⚠ DANGER** warns about hazards that **will** cause serious personal injury, death or major property damage if ignored.

**⚠ WARNING** warns about hazards that **can** cause serious personal injury, death or major property damage if ignored.

**⚠ CAUTION** warns about hazards that **will** or **can** cause minor personal injury or property damage if ignored.

The word **NOTICE** indicates special instructions which are important but not related to hazards.

**To avoid serious or fatal personal injury and possible property damage, carefully read and follow the safety instructions.**

1. **⚠ WARNING** Hazardous pressure. Under certain conditions, submersible pumps can develop extremely high pressure. Install a pressure relief valve capable of passing entire pump flow at 75 PSI (517 kPa) when using an air over water pressure tank. Install a pressure relief valve capable of passing entire pump flow at 100 PSI (690 kPa) when using a pre-charged pressure tank.

**⚠ Do not allow pump, pressure tank, piping, or any other system component containing water to freeze. Freezing may damage system, leading to injury or flooding. Allowing pump or system components to freeze will void warranty.**

2. **⚠ WARNING** Hazardous voltage. Can shock, burn or cause death. To avoid dangerous or fatal electric shock hazard, use pump only in a water well.

**⚠ WARNING** Risk of dangerous or fatal electrical shock. Do not install this pump in any pond, river, or other open body of water that could be used for swimming or recreation. Do not swim, wade or play in a body of water in which a submersible pump has been installed.

**⚠** Install, ground and wire pump according to local code and National Electrical Code requirements.

**⚠** Disconnect electrical power supply before installing or servicing pump.

**⚠** Make sure line voltage and frequency of power supply match motor nameplate voltage and frequency.

3. Install pump according to all plumbing, pump and well code requirements.

4. Test well water for purity before using well. Call your local health department for testing procedure.
5. During installation, keep well covered as much as possible to prevent leaves and foreign matter from falling into well. Foreign objects in well can contaminate the water and cause serious mechanical damage to the pump.
6. Pipe joint compound can cause cracking in plastics. Use only teflon tape when sealing joints in plastic pipe or connecting pipe to thermoplastic pumps.

## TABLE OF CONTENTS

Safety Instructions	2
Pre-Installation	2
Electrical	2-6
Installation	6
Initial Startup	6-7
Connecting to Tank/Water System	7
Troubleshooting Guide	10-11
Warranty	12

## PRE-INSTALLATION

Inspect pump and motor for delivery damage. Report any damage immediately to the shipping carrier or to your dealer.

The well driller should thoroughly develop the well (that is, pump out all fine sand and foreign matter) before pump is installed. See Initial Start-Up, Page 6.

Pump performance is based on pumping clear, cold, liquid water with no entrained air.

Warranty is void in the following conditions:

- If pump has pumped excessive sand – excessive sand can cause premature wear to pump.
- If water is corrosive.
- If entrained gas or air are present in the water being pumped – these can reduce flow and cause cavitation which can damage pump.
- If pump has been operated with discharge valve closed – severe internal damage will result.

Install pump at least 15 to 20' (4.5 to 6M) below the lowest water level reached with pump running (lowest draw-down water level), and at least 5' (1.5M) above the bottom of the well.

## GROUNDING:

**⚠ WARNING** Hazardous voltage. Can shock, burn, or cause death. Permanently ground pump, motor and control box before connecting power supply to motor.

Ground pump and motor in accordance with the local codes and ordinances. Use a copper ground wire at least as large as wires carrying current to motor.

Motor is supplied with a copper ground wire. Splice this ground wire to a copper conductor that matches motor wire size specified in Table III. See Page 5 for wire splicing instructions.

Permanently ground pump, motor and control box before connecting power cable to power supply. Connect ground wire to approved ground first and then connect to equipment being installed.

**Do not ground to a gas supply line.**

**▲WARNING** Fire and electrical shock hazard. If using a drop wire larger than No. 10 (5.5mm<sup>2</sup>) (for example, No. 8 (8.4mm<sup>2</sup>) wire) between pump and control box, run wire to a separate junction box. Connect junction box to control box with a No. 10 (5.5mm<sup>2</sup>) or smaller wire (depending on amp rating of pump – see Table III).

For more information, contact your local code officials.

**WIRING CONNECTIONS:**

All wiring must meet National Electrical Code or Canadian Electrical Code and local code requirements.

Use only copper wire when making connections to pump and control box.

To avoid over-heating wire and excessive voltage drop at motor, be sure that wire size is at least as large as size listed in Table III for your horsepower pump and length of wire run.

**NOTICE:** When built-in overheating protection is not provided, use with an approved overload equipped motor control that matches motor input in full load amps. Select or adjust overload element(s) in accordance with control instructions. When built-in overheating protection is provided, use with an approved motor control that matches motor input in full load amperes.

**TABLE I: Recommended Fusing Data - 60 Hz., Single Phase, 3 Wire Submersible Pump Motors**

HP	Volts	Fuse Size	
		Stand	Dual Elem.
1/2	115	35	20
1/2	230	20	10
3/4	230	25	15
1	230	30	20
1.5	230	35	20

**TABLE II: Recommended Fusing Data - 60 Hz., Single Phase 2 Wire Submersible Pump Motors**

HP	Volts	Fuse Size	
		Stand	Dual Elem.
1/2	115	35	20
1/2	230	20	10
3/4	230	25	15
1	230	30	20

**INSTALLATION WIRING DIAGRAMS - SINGLE PHASE, 3 WIRE**

**▲WARNING** For motors of 1½ HP and above, use magnetic starter to avoid damage to pressure switch. Consult factory for wiring information.

See Page 4 for 2 Wire Hookup.

**▲WARNING** Hazardous voltage. Can shock, burn, or kill.

Ground control box, all metal plumbing, and motor frame with copper wire in compliance with local codes. Use a ground wire at least as large as the wires supplying power to motor.

Permanently close all unused openings in this and other equipment.

Disconnect power to control box before working on or around control box, pipes, cable, pump, or motor.

**TABLE IIIA: Copper Cable Length in Feet (Service to Motor)**

1 Phase, 3- or 2-Wire Cable, 60 Hz. Wire Size

Volts	HP	14AWG	12AWG	10AWG	8AWG	6AWG	4AWG	3AWG	2AWG	1AWG
115V	1/2	100'	160'	250'	390'	620'	960'	1190'	1460'	1780'
230V	1/2	414	658	1047	1664	2646	4207	5307	6689	8438
	3/4	308	489	778	1237	1967	3127	3944	4971	6271
	1	256	407	647	1028	1635	2600	3280	4134	5214
	1-1/2	179	285	453	721	1146	1822	2298	2897	3654

**TABLE IIIB: Copper Cable Length in Meters (Service to Motor)**

1 Phase, 3- or 2- Wire Cable, 60 Hz. Wire Size in mm<sup>2</sup>

Volts	HP	KW	2.5	4	6	10	16	25	35	50	70
115V	1/2	.37	30m	49m	76m	119m	189m	292m	362m	445m	542m
230V	1/2	.37	126	200	319	507	806	1282	1617	2038	2571
	3/4	.55	93	149	237	377	599	953	1202	1515	1911
	1	.75	78	124	197	313	498	792	999	1260	1589
	1-1/2	1.1	54	86	138	219	349	555	700	883	1115

All cable lengths meet NEC for jacketed 60°C copper cable. Based on 3-Wire Induction Run requirements; Capacitor Run requirements may vary. Local code requirements may vary. For aluminum cable, go up two sizes from chart (for example, if the chart calls for No. 10 AWG (6mm<sup>2</sup>) for copper, go to No. 8 AWG (10mm<sup>2</sup>) for aluminum; the smaller the number, the larger the cable). Use oxidation inhibitors on the connections.

To be sure that starting relay will function and that overload will not “nuisance trip”, install control box vertically with top side up.

Wire control box as shown in Figures 1A and 1B. A 3-wire pump will not operate without control box. Operation without control box will burn out 3 wire motor.

Installation must include circuit and component protection which meet local code and United States National Electrical Code requirements.

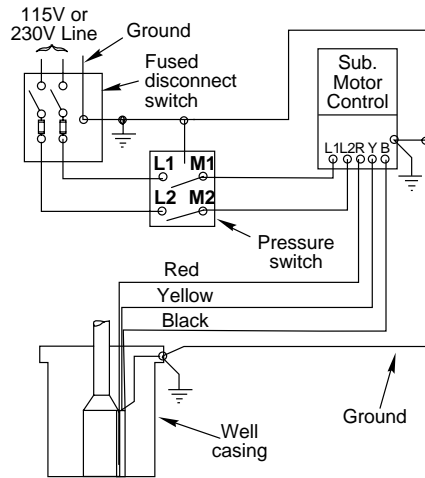
If main overload trips, look for:

1. Shorted Capacitor
2. Voltage Problems
3. Overloaded or locked pump.

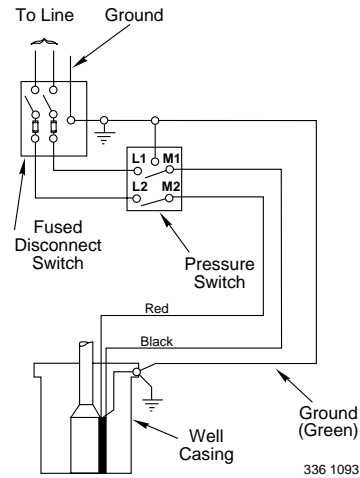
**NOTICE:** Match motor to control box as shown below. Motor and control box model numbers may include additional suffix numbers to the right of the numbers shown here. These additional numbers are not important for control box selection.

**TABLE IV: Control Box Selection**

HP	Voltage	Motor No.	Control Box No.
1/2	115	214504	28010449
1/2	230	TES-00460053	SMCT-CR0521
3/4	230	TES-00460370	SMCT-CR0721
1	230	TES-00461320	SMCT-CR1021
1-1/2	230	TES-00461965	SMCT-CR1521



**FIGURE 1A - 3-wire quick disconnect box. Follow color coding when connecting control box (Yellow to Y, Red to R, Black to B).**



**FIGURE 1B - Single phase, 2-wire connections. 2-wire pumps have two power supply wire (Red/Black) and one ground wire (Green). Control box is not required. This is correct connection information for 115 and 230 volt 2-wire motors only.**

## Installation

### WIRE SPLICING:

1. Splice wire to motor leads. Use only copper wire for connections to pump motor and control box.

**1. Taped splice** (Wire sizes No. 8 (8.4mm<sup>2</sup>) and larger):

- A. Cut off motor leads. Stagger lead and wire length so that 2nd lead is 2" (50mm) longer than 1st lead and 3rd lead is 2" (50mm) longer than second.
- B. Match colors and lengths of wires to colors and lengths of motor leads.
- C. Trim insulation back 1/2" (13mm) from cable ends and motor lead ends.
- D. Insert motor lead ends and cable ends into butt connector (see Figure 2). Match wire colors between supply wires and motor leads.
- E. Using crimping pliers (Figure 5), indent butt connector lugs.
- F. Cut "Scotchfil" electrical insulation putty into 3 equal parts and form tightly around butt connectors. Be sure scotchfil overlaps insulated part of wire.



FIGURE 2



FIGURE 3



FIGURE 4

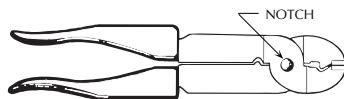


FIGURE 5



FIGURE 6

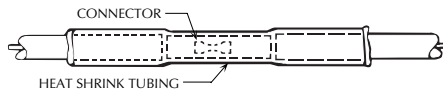


FIGURE 7

G. Using #33 Scotch tape, wrap each joint tightly; cover wire for about 1 1/2" (38mm) on each side of joint. Make four passes with the tape. In other words, when finished you should have four layers of tape tightly wrapped around the wire. Press edges of tape firmly down against the wire (see Figure 6).

**NOTICE:** Since the tightly wound tape is the only means of keeping water out of the splice, the efficiency of the splice will depend on the care used in wrapping the tape.

**NOTICE:** For wire sizes larger than #8, (7mm<sup>2</sup>) use a soldered joint rather than Scotchfil putty (see Figure 4).

**2. Heat-shrink splice** (For wire sizes #14, 12 and 10 AWG, or 2, 3, and 5.5mm<sup>2</sup>):

- A. Remove 3/8" (9.5mm) insulation from ends of motor leads and power supply wires.
- B. Put plastic heat shrink tubing over motor leads between power supply and motor (see Figure 7).
- C. Match wire colors and lengths between power supply and motor.
- D. Insert supply wire and lead ends into butt connector and crimp (See Figures 2 and 3). **Match** wire colors between power supply and motor. Pull leads to check connections.
- E. Center tubing over butt connector and apply heat evenly with a torch (a match or lighter will not supply enough heat). **NOTICE:** Keep torch moving. Too much concentrated heat may damage tubing (see Figure 7).

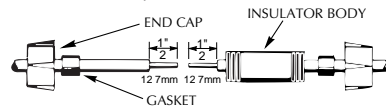


FIGURE 8

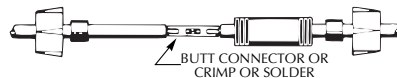


FIGURE 9

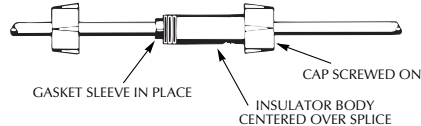


FIGURE 10

**3. Mechanical Splice Kit** with plastic insulators (for 14, 12 and 10 Gauge AWG Wire, or 2, 3 and 5.5mm<sup>2</sup> wire):

- A. Cut off motor leads. Stagger lead and wire length so that 2nd lead is 4" (101.6mm) longer than 1st lead and 3rd lead is 4" (101.6mm) longer than second.
- B. Cut off wire ends. Match colors and lengths of power supply wires to colors and lengths of motor leads.
- C. Trim insulation back 1/2" (13mm) from cable ends and motor lead ends.
- D. Unscrew plastic caps from insulators. Place a cap and a neoprene gasket sleeve on each wire end to be spliced (see Figure 8).
- E. Slide insulator body onto one wire end (Figure 8).
- F. Insert wire end into butt connector and crimp. **Match** cable and motor wire colors (see Figure 9).
- G. Center insulator body over splice and slide neoprene sleeves into body as far as they will go. Screw caps onto insulator body (Figure 10) and tighten by hand for a strong, waterproof splice.

**POWER SUPPLY WIRE INSTALLATION**

1. To test submersible, momentarily (no more than 30 seconds) connect it to proper power supply. Power supply frequency and voltage must match motor nameplate frequency and voltage to within ±10%.
2. Fasten power supply wires leads securely to pump discharge section; leave 4-5" (100-125mm) of slack in leads at this point. Securely fasten leads to plastic pipe within 6" (150mm) of the pump discharge section. Use centering guides to protect wire and pipe from rubbing the well casing.
3. Connect copper ground wire to motor bracket. Ground wire must be at least as large as wires supplying current to motor. Consult local codes for grounding information.
4. Use only submersible power supply wires supplied by pump manufacturer. When lowering pump into well, secure supply wires to discharge pipe at 10' (3.5M) intervals with Scotch #33 electrical tape. **DO NOT** damage pump wires.

**NOTICE:** To avoid dropping the pump down the well or damaging cable or cable splices, **NEVER** allow pump cable to support weight of pump.

**PUMP INSTALLATION**

1. If a standard air over water pressure tank is used, install two bleeder orifices about 2' (.6M) apart as shown in Figure 13, Page 9.

Orifices will automatically charge the tank with air. See Figure 13 to determine orifice location.

**NOTICE:** If Pre-charged tank is used, **DO NOT** install bleeder orifices. If pump and pre-charged tank are replacing a standard tank system, remove bleeder orifices before installing pump in well.

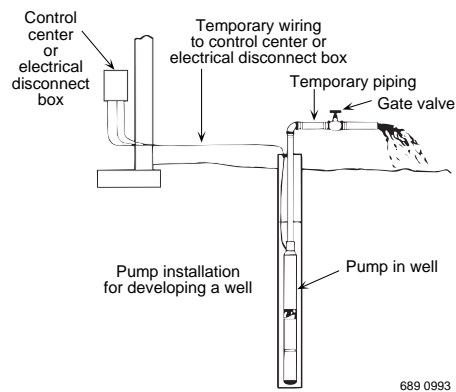
2. To prevent losing pump down the well, connect a safety rope strong enough to support pump and drop pipe (minimum 5/16" (8mm) twisted polypropylene or pronila rope) to eyelet on pump discharge. Tie off other end of safety rope securely to well seal, well cap or pitless adapter.
3. Discharge outlet is 1/4" NPT threaded. Use 100 PSI rated polyethylene plastic pipe for installations up to 100' (30.5M) depth. Use 160 PSI rated polyethylene plastic pipe for installation up to 220' (67.1M) depth. For depths beyond 220' (67.1M), use galvanized steel pipe for the entire drop pipe.

**INITIAL START-UP/NEW WELLS**

**NOTICE:** NEVER operate pump with discharge valve completely closed. Pump can destroy itself if run with discharge shut off ("deadheaded") and warranty will be void.

**NOTICE:** To avoid sand-locking pump, follow procedure below when starting pump for the first time. NEVER start a pump with discharge completely open unless you have done this procedure first.

1. Connect a pipe elbow, a short length of pipe and a gate valve to pump discharge at well head (see Figure 11).



**FIGURE 11 - Temporary connections while cleaning well for start-up.**

2. Mount motor control box (3-wire pump) or fused disconnect switch (2-wire pump) in a permanently weather proof place. Make sure that controls will not be subjected to extreme heat or excess moisture.
3. Make sure controls are in OFF position.
4. Connect motor leads and power supply wires to motor control box or magnetic starter (see Wiring Diagrams). **DO NOT START PUMP YET.**
5. Set gate valve on discharge 1/3 open; start pump (see Figure 11).
6. Keep gate valve at this setting while water pumps out onto ground. Let it run until water is clear of sand or silt. (To check solids in water, fill a glass from pump and let solids settle out).
7. When water is completely clear at 1/3 setting, open gate valve to approximately two-thirds open and repeat process.
8. When water is completely clear at 2/3 setting, open gate valve completely and run pump until water is completely clear.
9. Remove gate valve for permanent installation near tank (see Figures 12 and 13, Pages 8 and 9).
10. Install sanitary well seal or pitless adapter unit, well unit, electrical conduit and surface piping according to local code requirements that apply.

#### CONNECTING TO TANK/WATER SYSTEM

**▲WARNING** Hazardous pressure. Submersible pumps can develop very high pressure in some situations. To prevent tank blowup, install a pressure relief valve able to pass full pump flow at 75 PSI (517kPa) when using an air over water pressure tank. Install a pressure relief valve capable of passing entire pump flow at 100 PSI (690 kPa) when using a pre-charged pressure tank. Install this relief valve between pump and tank.

**▲WARNING** Pipe joint compound can cause cracking in plastics. Use only teflon tape on joints in plastic pipe.

**NOTICE:** Allowing pump or piping system to freeze may severely damage pump and will void warranty. Protect pump and entire piping system (including pressure tank) from freezing.

#### Pre-charged Pressure Tank Hookup:

See Figure 12, Page 8 for piping connections to pre-charged pressure tank.

**NOTICE:** Check air pre-charge in tank before starting pump. Adjust pre-charge to 2 PSI below pump cut-in setting. (For example, a pre-charge tank used with a 30-50 switch should be pre-charged with air to 28 PSI. Adjust pre-charge by either adding or bleeding air through tire valve located on top of tank. Check pre-charge annually and adjust as needed.

#### Standard Tank Hookup:

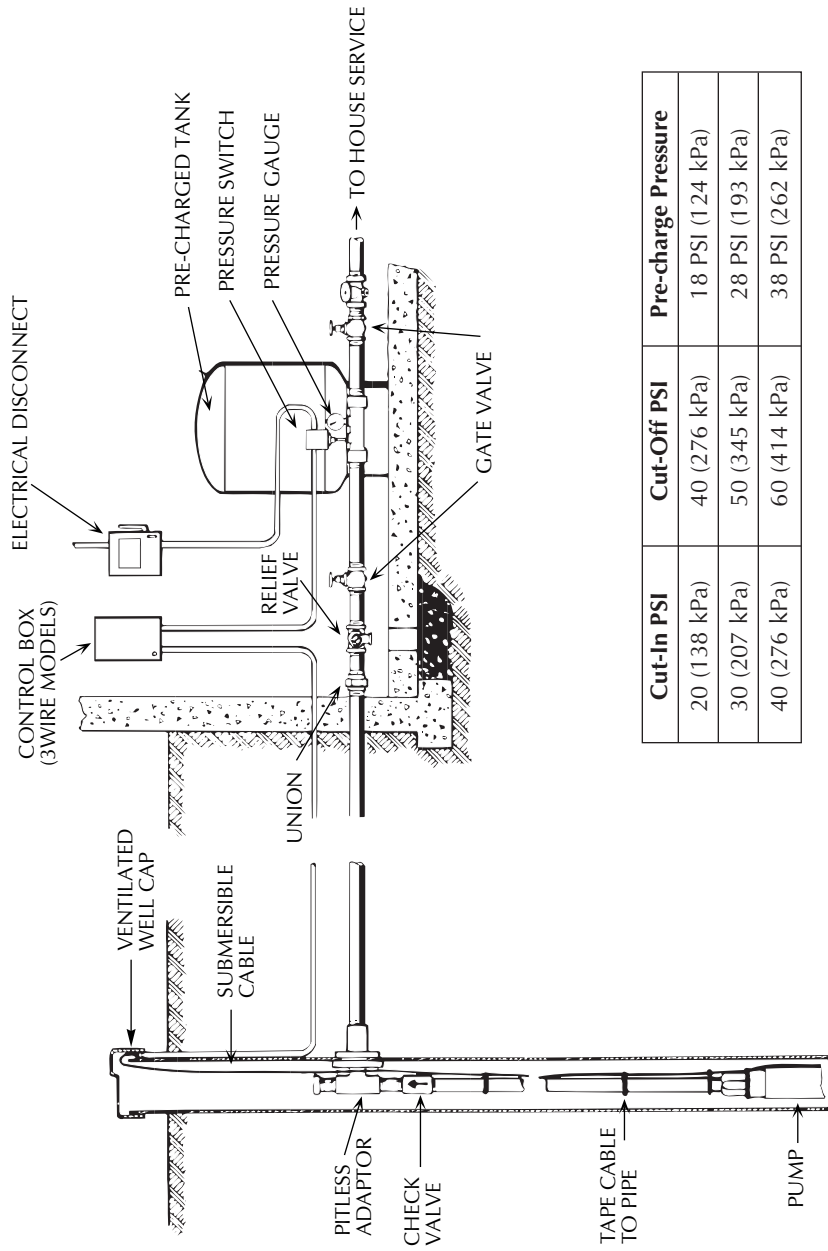
See Figure 13, Page 9 for piping connections to standard pressure tank and for correct distance of bleeder orifices from pressure tank.

### Important Electrical Grounding Information

**▲WARNING** Hazardous voltage. Can shock, burn, or kill. To reduce the risk of electrical shock during pump operation, ground and bond the pump and motor as follows:

- A. To reduce risk of electrical shock from metal parts of the assembly other than the pump, bond together all metal parts accessible at the well head (including metal discharge pipe, metal well casing, and the like). Use a metal bonding conductor at least as large as the power cable conductors running down the well to the pump's motor.
- B. Clamp or weld (or both if necessary) this bonding conductor to the grounding means provided with the pump, which will be the equipment-grounding terminal, the grounding conductor on the pump housing, or an equipment-grounding lead. The equipment-grounding lead, when provided, will be the conductor having green insulation; it may also have one or more yellow stripes.
- C. Ground the pump, motor, and any metallic conduit that carries power cable conductors. Ground these back to the service by connecting a copper conductor from the pump, motor, and conduit to the grounding screw provided within the supply-connection box wiring compartment. This conductor must be at least as large as the circuit conductors supplying the pump.

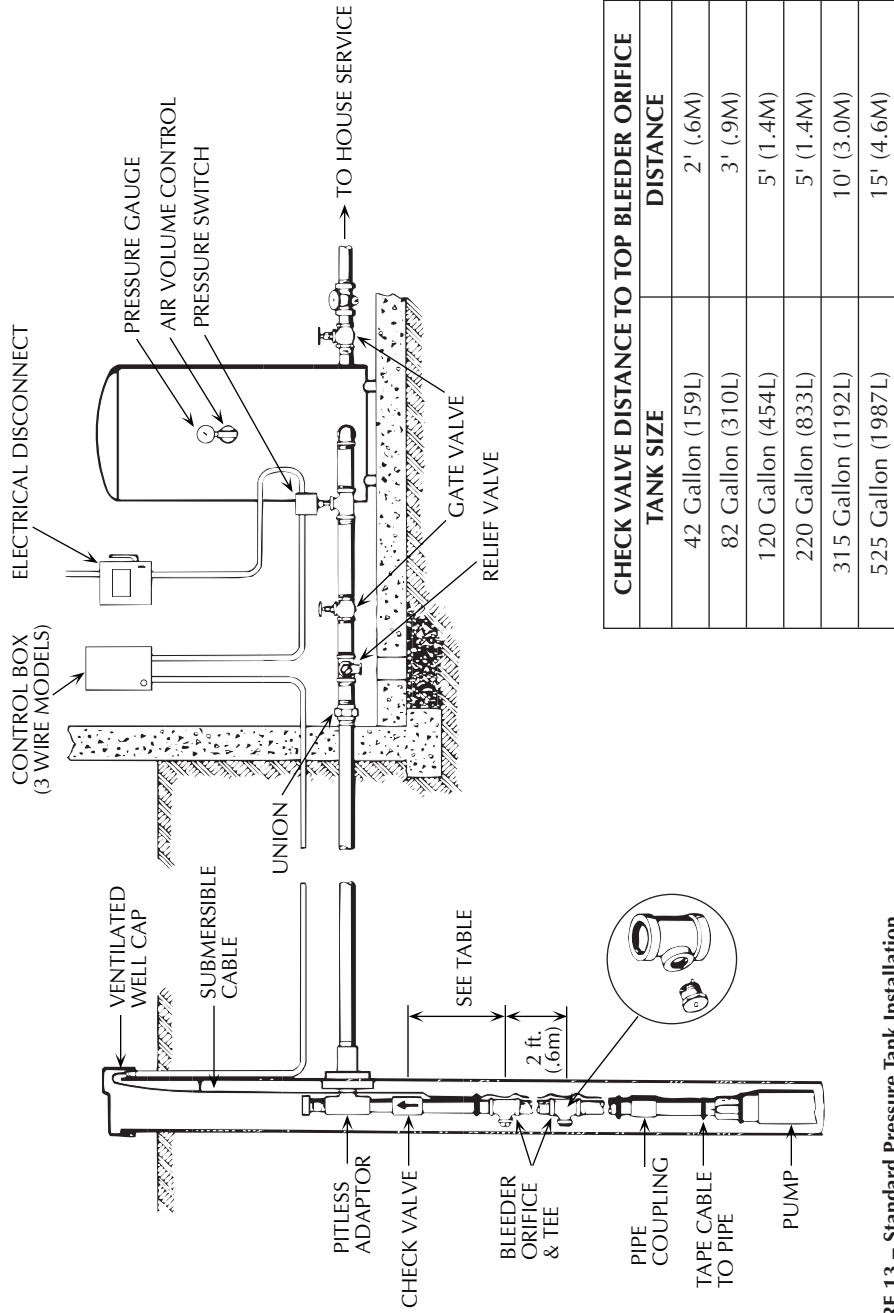
**Save these instructions.**



Cut-In PSI	Cut-Off PSI	Pre-charge Pressure
20 (138 kPa)	40 (276 kPa)	18 PSI (124 kPa)
30 (207 kPa)	50 (345 kPa)	28 PSI (193 kPa)
40 (276 kPa)	60 (414 kPa)	38 PSI (262 kPa)

FIGURE 12 – Typical Submersible Installation with Pre-charged Tank Installation





CHECK VALVE DISTANCE TO TOP BLEEDER ORIFICE	
TANK SIZE	DISTANCE
42 Gallon (159L)	2' (.6M)
82 Gallon (310L)	3' (.9M)
120 Gallon (454L)	5' (1.4M)
220 Gallon (833L)	5' (1.4M)
315 Gallon (1192L)	10' (3.0M)
525 Gallon (1987L)	15' (4.6M)

FIGURE 13 – Standard Pressure Tank Installation

## TROUBLESHOOTING GUIDE

PROBLEM	CHECK	CORRECTIVE ACTION
<p><b>Motor will not start but fuses do not blow</b> No voltage.</p>	<p>No voltage at fuse box. No voltage at pressure switch. No voltage at control box. Cable or splices bad. Control box incorrectly wired.</p>	<p>Replace blown fuses. Replace faulty pressure switch. Rewire supply to control box. Consult licensed electrician or serviceman. Reconnect control box correctly (see wiring diagrams, Pages 6 through 8).</p>
<p><b>Fuses blow or overload protector trips when motor starts</b> Wrong size fuse or wrong size time delay fuse. Wire size too small. Starting capacitor defective or blown. Low or high voltage.</p> <p>Cable leads not correctly connected to control box.</p> <p>Broken wire in control box. Pump or motor stuck or binding.</p>	<p>Check fuse size against Tables II and III, Pages 3 and 4. Check wire size against Table III, Page 4. Check control box to see if starting capacitor has blown out. Check that line voltage is within <math>\pm 10\%</math> of nameplate rated voltage while motor is running. Check control box wiring diagram against incoming power hookup. Check drop cable color coding.</p> <p>Examine all connections and wiring in control box. Check for locked rotor in pump.</p>	<p>Install correct fuse or time delay fuse.</p> <p>Install correct size wire. Replace starting capacitor.</p> <p>If voltage variation is greater than <math>\pm 10\%</math>, call power company to adjust voltage.</p> <p>Reconnect leads to match wiring diagram in control box cover. Reconnect drop cable so cable color code matches motor lead color code. Disconnect power and repair or replace faulty wire. If necessary, pull pump (make all possible above ground checks first). If pump is locked, replace it. Clean well of all sand or lime before reinstalling pump.</p>
<p><b>Fuses blow or overload protector trips when motor is running</b> Low or high voltage.</p> <p>High ambient (atmospheric temperature). Control box with wrong voltage or horsepower rating.</p> <p>Wire size too small. Cable splices or motor leads grounded, shorted, or open.</p>	<p>Check that line voltage is within <math>\pm 10\%</math> of rated nameplate voltage while motor is running. Check temperature of control box.</p> <p>Compare voltage and horsepower on motor nameplate with those given on control box nameplate or on circuit diagram inside control box cover. Check wire size against Table III, Page 4. Consult licensed electrician or qualified serviceman.</p>	<p>If voltage variation is more than <math>\pm 10\%</math>, call power company to adjust voltage.</p> <p>Do not mount control box in direct sunlight.</p> <p>Replace control box if numbers do not match.</p> <p>Install correct wire size. Do not attempt to disassemble pump or motor.</p>
<p><b>Pump starts too frequently</b> Leaks in system.</p> <p>Pressure switch.</p> <p>Tank waterlogged.</p> <p>Leak in drop pipe.</p> <p>Pressure switch too far from tank.</p>	<p>Check all tank connections with soapsuds for air leaks. Check plumbing for leaks. Check for defective switch or switch out of adjustment. Pre-charged tanks; check tank pre-charge air pressure, check for leak in bladder.</p> <p>Air over water tanks: check for air leaks. Check Air Volume Control (AVC). Check sniffer valve operation.</p> <p>Raise drop pipe one length at a time until water stands in pipe. Measure distance from pressure switch to tank.</p>	<p>System must be air and water tight.</p> <p>Re-adjust or replace pressure switch.</p> <p>Pre-charge tanks: adjust air pressure to 2 PSI (13.8 kPa) less than pump cut-in pressure (when there is no water pressure on system). Replace bladder if necessary. Air over water tanks: repair or replace tanks; replace sniffer valves if necessary.</p> <p>Replace pipe above that point.</p> <p>Move switch to within one foot of tank.</p>

### TROUBLESHOOTING GUIDE (cont.)

PROBLEM	CHECK	CORRECTIVE ACTION
<p><b>Little or no water delivered</b></p> <p>Bleeder orifice check valve stuck or installed backwards (standard tank only).</p> <p>Low water level.</p> <p>Low voltage.</p> <p>Plugged intake screen.</p> <p>Check valve at pump discharge stuck.</p> <p>Worn impellers and diffusers.</p>	<p>Examine valve.</p> <p>Determine lowest water level in well while pump is running and compare to pump depth setting.</p> <p>Check voltage at control box with pump running. Check incoming wire size and power supply wire size against Table III, Page 4.</p> <p>Pull pump and check condition of screen.</p> <p>Pull pump and examine check valve.</p> <p>Make sure system is clear of obstructions and pump is in solid water and operation normally.</p>	<p>If stuck, free valve; if installed backwards, reverse it.</p> <p>Lower pump further into well (but at least 5' (1.6M) above bottom of well). Throttle pump discharge until discharge equals recovery rate of well. <b>NOTICE:</b> Running pump while airlocked can cause loss of prime and seriously damage pump.</p> <p>Install larger wire from meter to control box. Install larger wire from control box to pump. If necessary, have power company raise supply voltage.</p> <p>Clean or replace as necessary.</p> <p>Free check valve.</p> <p>Replace pump.</p>
<p><b>Air or milky water discharge from faucets</b></p> <p>Gas in well water.</p> <p>Air volume control not working (standard tanks only).</p>	<p>Check for presence of gas in well water.</p> <p>Make sure ports and ball check valves are clear.</p>	<p>Remove bleeder orifices; plug tees. Be sure plugged tees do not leak. If necessary, separate gas from air before it enters pressure tank.</p> <p>Replace control if necessary.</p>

**ATTACH ORIGINAL RECEIPT HERE FOR WARRANTY CONSIDERATION.**

SIMER warrants to the original consumer purchaser ("Purchaser") of its products that they are free from defects in material or workmanship.

If within twelve (12) months from the date of the original consumer purchase any such product shall prove to be defective, it shall be repaired or replaced at SIMER's option, subject to the terms and conditions set forth below. Your original receipt of purchase is required to determine warranty eligibility.

**Exceptions to the Twelve (12) Month Warranty**

<b>Product/Model No.</b>	<b>Warranty Period</b>
M40P, M40, BW85P, CM10, CMK	90 days
2330, 2300, 2310, 2955, 2956, 2957, 2960, A5500	2 Years
4" Submersible Well Pumps, 3984, 3983, 2975PC, 2958, 2985, 3075SS	3 Years
Pre-Charge Water System Tank, 3986, 3985, 2956	5 Years
3988, 3995, 3997, 3963	Lifetime

**General Terms and Conditions**

Purchaser must pay all labor and shipping charges necessary to replace product covered by this warranty. This warranty shall not apply to acts of God, nor shall it apply to products which, in the sole judgement of SIMER, have been subject to negligence, abuse, accident, misapplication, tampering, alteration; nor due to improper installation, operation, maintenance or storage; nor to other than normal application, use or service, including but not limited to, operational failures caused by corrosion, rust or other foreign materials in the system, or operation at pressures in excess of recommended maximums.

Requests for service under this warranty shall be made by returning the defective product to the Retail outlet or to SIMER as soon as possible after the discovery of any alleged defect. SIMER will subsequently take corrective action as promptly as reasonably possible. No requests for service under this warranty will be accepted if received more than 30 days after the term of the warranty.

This warranty sets forth SIMER's sole obligation and purchaser's exclusive remedy for defective products.

SIMER SHALL NOT BE LIABLE FOR ANY CONSEQUENTIAL, INCIDENTAL, OR CONTINGENT DAMAGES WHATSOEVER.

THE FOREGOING WARRANTIES ARE EXCLUSIVE AND IN LIEU OF ALL OTHER EXPRESS WARRANTIES. IMPLIED WARRANTIES, INCLUDING BUT NOT LIMITED TO THE IMPLIED WARRANTIES OF MERCHANTABILITY AND FITNESS FOR A PARTICULAR PURPOSE, SHALL NOT EXTEND BEYOND THE DURATION OF THE APPLICABLE EXPRESS WARRANTIES PROVIDED HEREIN.

Some states do not allow the exclusion or limitation of incidental or consequential damages or limitations on how long an implied warranty lasts, so the above limitations or exclusions may not apply to you. This warranty gives you specific legal rights and you may also have other rights which vary from state to state.

**SIMER • 293 Wright Street • Delavan, WI U.S.A. 53115**  
**Phone: 1-800-468-7867/1-800-546-7867 • Fax: 1-800-390-5351**  
**E-Mail: [info@simerpumps.com](mailto:info@simerpumps.com) • Web Site: <http://www.simerpumps.com>**

## Français

Lire attentivement toutes les consignes de sécurité contenues dans cette Notice ou collées sur la pompe et les observer scrupuleusement.



**Ce symbole indique qu'il faut être prudent.** Lorsque ce symbole apparaît sur la pompe ou dans cette Notice, rechercher une des mises en garde qui suivent, car elles indiquent un potentiel possible de blessures corporelles.



**DANGER** avertit d'un danger qui causera des blessures corporelles, la mort ou des dommages matériels importants si on l'ignore.



**AVERTISSEMENT** avertit d'un danger qui risque de causer des blessures corporelles, la mort ou des dommages matériels importants si on l'ignore.



**ATTENTION** avertit d'un danger qui causera ou qui risque de causer des blessures corporelles, la mort ou des dommages matériels importants si on l'ignore. Le mot **NOTA** indique des instructions spéciales et importantes n'ayant aucun rapport avec les dangers. **Pour éviter des blessures corporelles graves, voire mortelles, et toute possibilité de dommages matériels, lire attentivement les consignes de sécurité qui suivent et bien les observer.**

1. **AVERTISSEMENT** Pression dangereuse. Dans certaines conditions, les pompes submersibles peuvent développer des pressions extrêmement élevées. Si on utilise un réservoir d'eau sous pression d'air, poser une soupape de sûreté pouvant laisser passer le plein débit de la pompe à 517 kPa (75 lb/po<sup>2</sup>). Lorsque l'on utilise un réservoir d'eau préchargé, poser une soupape de sûreté pouvant laisser passer le plein débit de la pompe à 690 kPa (100 lb/po<sup>2</sup>).



**Ne pas laisser geler la pompe, le réservoir sous pression, les tuyauteries ou tout autre composant du système contenant de l'eau. Le gel risque d'endommager le système, ce qui peut causer des blessures ou une inondation. Si la pompe ou les composants du système gèlent, la garantie sera annulée.**

2. **AVERTISSEMENT** Tension dangereuse. Risque de secousses électriques, de brûlures, voire de mort. Pour éviter toute secousse électrique grave ou mortelle, la pompe ne doit être utilisée que dans un puits.



**Risque d'électrocution dangereuse, voire mortelle.** Ne pas installer cette pompe dans un étang, une rivière ni dans une masse d'eau à l'air libre dans lesquels des personnes pourraient nager ou s'amuser. Ne pas nager, patauger ni jouer dans une masse d'eau à l'air libre dans laquelle une pompe submersible est installée.



Installer, mettre à la terre et câbler la pompe conformément aux codes de la municipalité, au National Electrical Code des États-Unis ou au Code canadien de l'électricité, selon le cas.



Couper le courant d'alimentation avant d'installer la pompe ou d'intervenir sur la pompe.



S'assurer que la tension secteur et que la fréquence du courant d'alimentation correspondent à la fréquence et à la tension indiquées sur la plaque signalétique du moteur.

3. Installer la pompe conformément à tous les codes relatifs à la plomberie, aux puits et aux pompes.

4. Avant d'utiliser un puits, faire analyser l'eau. Appeler le bureau local du Ministère de la santé pour faire procéder à cette analyse.
5. Pendant l'installation, le puits doit rester fermé pour empêcher que des feuilles et des corps étrangers tombent dans le puits, ce qui risquerait de contaminer l'eau et de causer de graves dommages mécaniques à la pompe.
6. De la pâte d'étanchéité pour raccords filetés risque de fissurer les plastiques. N'utiliser que du ruban téflon pour rendre étanches les tuyaux en plastique ou pour brancher les tuyaux sur les pompes thermoplastiques.

## TABLE DES MATIÈRES

Consignes de sécurité	13
Avant de procéder à l'installation	13
Électricité	13-17
Installation	17
Première mise en service	17-18
Branchement sur un réservoir/ réseau d'eau	18
Guide de recherche des pannes	21-22
Garantie	23

## AVANT DE PROCÉDER À L'INSTALLATION

Inspecter la pompe et le moteur pour s'assurer qu'ils n'ont pas été endommagés pendant le transport. Reporter immédiatement tout dommage au transporteur ou au marchand.

Le foreur du puits devra débarrasser le puits de tous les corps étrangers et de tout le sable fin avant que la pompe puisse être installée. Se reporter à « Première mise en service » initiale à la page 10.

Les rendements de la pompe sont basés sur le pompage d'eau propre, fraîche et liquide, ne contenant pas d'air entraîné.

La garantie sera nulle et non avenue dans les cas suivants :

- Si la pompe a pompé une quantité excessive de sable. Tout pompage excessif de sable peut causer une usure prématurée de la pompe.
- Si l'eau est corrosive.
- Si de l'air ou du gaz entraînés sont présents dans l'eau pompée, ces éléments pouvant diminuer le débit et causer la cavitation, ce qui risque d'endommager la pompe.
- Si la pompe a fonctionné alors qu'un robinet de refoulement était fermé, ceci pouvant causer de graves dommages internes.

Installer la pompe à au moins 4,50 à 6 mètres (15 à 20 pieds) sous le niveau que l'eau baisse le plus lorsque la pompe fonctionne (le rabattement du niveau de l'eau le plus bas) et à au moins 1,5 mètre (5 pieds) du fond du puits.

## MISE À LA TERRE :



**Tension dangereuse. Risque de secousses électriques, de brûlures, voire de mort. Avant de brancher le courant électrique sur le moteur, mettre en permanence à la terre la pompe, le moteur et la boîte de commande.**

Mettre à la terre la pompe et le moteur conformément aux codes et aux décrets de la municipalité. Pour la mise à la terre, utiliser un fil de cuivre dont le diamètre est au moins aussi gros que le diamètre des fils du câble alimentant en courant sur le moteur. Le moteur est livré avec un fil de mise à la terre en cuivre.

Épisser ce fil de mise à la terre sur un fil en cuivre dont le diamètre correspond à ceux des fils du moteur spécifiés dans le Tableau III. Se reporter à la page 9 pour les instructions concernant l'épaisseur de câbles.

Avant de brancher le câble d'alimentation en courant, mettre en permanence à la terre la pompe, le moteur et la boîte de commande. Brancher tout d'abord le fil de mise à la terre sur une mise à la terre, puis le brancher sur l'équipement que l'on installe.

**Ne pas brancher le fil de mise à la terre sur une canalisation de gaz.**

**⚠ AVERTISSEMENT** Danger d'incendie et de secousses électriques. Si le calibre du fil branché entre la pompe et la boîte de commande est supérieur au n° 10 (fil n° 8 [8,4 mm<sup>2</sup>], par exemple), brancher le fil sur une boîte de jonction séparée. Brancher la boîte de jonction sur la boîte de commande avec un fil n° 10 (5,5 mm<sup>2</sup>) ou plus petit (en fonction de l'intensité en ampères de la pompe - se reporter aux Tableaux III). Pour de plus amples renseignements, s'adresser aux autorités municipales compétentes.

#### BRANCHEMENTS DU CÂBLAGE :

Tout le câblage doit se conformer au National Electrical Code ou au Code canadien de l'électricité ainsi qu'aux codes de la municipalité.

N'utiliser que des fils de cuivre pour procéder aux branchements sur la pompe et sur la boîte de commande.

Pour que les fils ne surchauffent pas (en fonction de la puissance de la pompe et de la longueur des fils) et pour que la tension parvenant au moteur ne chute pas excessivement, s'assurer que le diamètre des fils est au moins aussi gros que celui des fils indiqué dans le Tableau III.

**NOTA :** Si un dispositif de protection contre les surchauffes n'est pas incorporé au moteur, utiliser le moteur avec une commande de moteur approuvée équipée d'une protection contre les surcharges qui correspond à l'entrée du moteur en ampères à pleine charge. Choisir ou régler le ou les dispositifs de surcharge conformément aux instructions de la commande. Si un dispositif de protection contre les surcharges est incorporé au moteur, utiliser le moteur avec une commande de moteur approuvée qui correspond à l'entrée du moteur en ampères à pleine charge.

**TABLEAU I : Fusibles recommandés - Moteur des pompes submersibles à 3 fils fonctionnant sur le courant monophasé de 60 Hz**

CV	Volts	Type de fusible	
		Standard	Élément double
1/2	115	35	20
1/2	230	20	10
3/4	230	25	15
1	230	30	20
1.5	230	35	20

**TABLEAU II : Fusibles recommandés - Moteur des pompes submersibles à 2 fils fonctionnant sur le courant monophasé de 60 Hz**

CV	Volts	Type de fusible	
		Standard	Élément double
1/2	115	35	20
1/2	230	20	10
3/4	230	25	15
1	230	30	20

#### SCHÉMAS DE BRANCHEMENT DU CÂBLAGE - MOTEURS MONOPHASÉS À 3 FILS

**⚠ AVERTISSEMENT** Dans le cas des moteurs de 1/2 ch et plus puissant, utiliser un démarreur magnétique pour ne pas endommager le pressostat. Consulter l'usine pour obtenir de plus amples renseignements sur le câblage. Se reporter à la page 7 pour le branchement des câbles à 2 fils.

**⚠ AVERTISSEMENT** Haute tension. Risques de secousses électriques, de brûlure, voire de mort.

Mettre à la terre la boîte de commande, tous les tuyaux métalliques et le bâti du moteur avec un fil en cuivre et ceci conformément aux codes de la municipalité. Utiliser un fil de mise à la terre dont le diamètre est au moins aussi gros que celui des fils électriques branchés sur le moteur.

Obturer en permanence toutes les ouvertures non utilisées de cet équipement et de tout autre équipement.

Couper le courant alimentant à la boîte de commande avant d'intervenir sur ou autour de la boîte de commande, des tuyaux, du câblage, de la pompe ou du moteur.

**TABLEAU IIIA : Longueur du câble de cuivre en pieds (Service au moteur)**

Monophasé, câble de 3 ou 2 fils, 60 Hz, Dimension du fil

Tension	CH	Cal. 14	Cal. 12	Cal. 10	Cal. 8	Cal. 6	Cal. 4	Cal. 3	Cal. 2	Cal. 1
115 V	1/2	100'	160'	250'	390'	620'	960'	1190'	1460'	1780'
230 V	1/2	414	658	1047	1664	2646	4207	5307	6689	8438
	3/4	308	489	778	1237	1967	3127	3944	4971	6271
	1	256	407	647	1028	1635	2600	3280	4134	5214
	1-1/2	179	285	453	721	1146	1822	2298	2897	3654

**TABLEAU 3 B : Longueur du câble de cuivre en pieds (Service au moteur)**

Monophasé, câble à 3 ou 2 fils, 60 Hz, dimension du fil en mm<sup>2</sup>

Tension	CH	KW	2,5	4	6	10	16	25	35	50	70
115 V	1/2	0,37	30m	49m	76m	119m	189m	292m	362m	445m	542m
230 V	1/2	0,37	126	200	319	507	806	1282	1617	2038	2571
	3/4	0,55	93	149	237	377	599	953	1202	1515	1911
	1	0,75	78	124	197	313	498	792	999	1260	1589
	1-1/2	1,1	54	86	138	219	349	555	700	883	1113

Toutes les longueurs de câble sont conformes au National Electrical Code (NEC) pour le câble en cuivre pouvant supporter une température ambiante de 60° C. Selon les exigences d'induction à 3 fils; les exigences du condensateur peuvent varier. Les exigences des codes de la municipalité peuvent varier. Dans le cas d'un câble en aluminium, utiliser un calibre de deux numéros supérieurs (par exemple, si le tableau exige un câble en cuivre de calibre AWG n° 10 (6 mm<sup>2</sup>), utiliser un câble en aluminium de calibre AWG n° 8 (10 mm<sup>2</sup>); plus le numéro est petit, plus le câble est grand). Utiliser des antioxydants sur les raccordements.

Pour être sûr que le relais de démarrage fonctionnera et que les surcharges ne provoqueront pas des «déclenchements intempestifs», installer la boîte de commande en orientant son dessus vers le haut. Câbler la boîte de commande comme il est indiqué aux Fig. 1A et Fig. 1B. La pompe ne fonctionnera pas sans une boîte de commande. Sur les boîtes de luxe, un interrupteur ou un fil volant doit être branché entre les bornes «SW» et «L2». Les moteurs à trois fils brûleront si une boîte de commande n'est pas utilisée. L'installation doit comprendre une protection des circuits et des éléments conformément au code de la municipalité, au National Electrical Code des États-Unis ou au Code canadien de l'électricité.

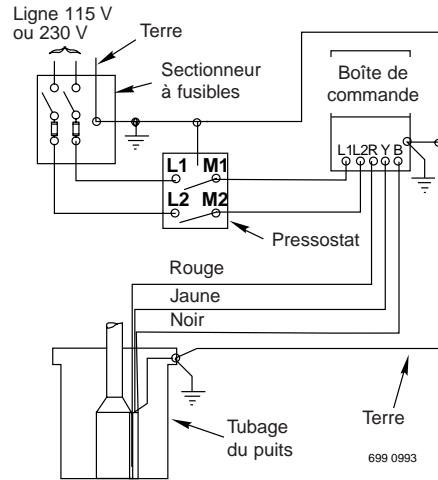
Si le dispositif de protection principal entre les surcharges thermiques se déclenche, voir :

1. si un condensateur n'est pas en court-circuit.
2. s'il n'y a pas de problèmes de tension.
3. si la pompe n'est pas surchargée ou bloquée.

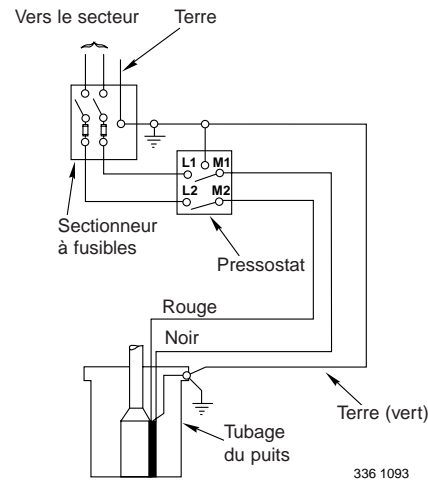
**NOTA :** Assortir le moteur à la boîte de commande, comme il est indiqué ci-dessous. Les numéros de modèle des moteurs Sta-Rite et des boîtes de commande peuvent comprendre des numéros à suffixe supplémentaires placés à droite des numéros illustrés. Ces numéros supplémentaires ne sont pas importants dans le choix de la boîte de commande.

**TABLEAU IV : Choix des boîtes de commande**

ch	Tension	N° de moteur	N° de boîtes de commande
1/2	115	214504	28010449
1/2	230	TES-00460053	SMCT-CR0521
3/4	230	TES-00460370	SMCT-CR0721
1	230	TES-00461320	SMCT-CR1021
1-1/2	230	TES-00461965	SMCT-CR1521



**FIGURE 1A - Boîte de coupure rapide à 3 fils. Pour brancher la boîte de commande, respecter la couleur des fils (jaune à Y (yellow), rouge à R (red), noir à B (black)).**



**FIGURE 1B - Courant monophasé, mises à la terre à 2 fils. Les pompes à 2 fils comportent deux fils branchés entre le courant électrique (rouge/noir) et un fil de mise à la masse (vert). La boîte de commande n'est pas nécessaire. C'est l'information correcte seulement pour le raccordement des moteurs à 2 fils de 115 et de 230 volts.**

## Installation

### ÉPISSURE DES FILS DU CÂBLE :

1. Épisser les fils du câble sur les fils du moteur.  
N'utiliser que des fils en cuivre pour les connexions sur le moteur de la pompe et la boîte de commande.

#### 1. Épissure protégée par du ruban isolant électrique (fil de calibre n° 8 (8,4 mm<sup>2</sup>) ou plus gros) :

- A. Couper les fils du moteur. Décaler la coupe des fils de façon que le 2<sup>e</sup> fil soit 50 mm (2 pouces) plus long que le 1<sup>er</sup> fil et que le 3<sup>e</sup> fil soit 50 mm (2 pouces) plus long que le deuxième fil.
- B. Assortir la couleur et la longueur des fils du câble avec la couleur et la longueur des fils du moteur.
- C. Dénuder l'extrémité des fils du câble sur 13 mm (1/2 pouce), de même que l'extrémité des fils du moteur.
- D. Introduire les fils du moteur et les fils du câble dans le manchon connecteur (se reporter à la Figure 2). Assortir la couleur des fils du câble avec celle des fils du moteur.
- E. À l'aide d'une pince à sertir (Figure 5), aplatir les pattes du manchon connecteur.
- F. Couper le mastic isolant électrique «Scotchfil» en 3 morceaux égaux et bien le presser autour des manchons connecteurs. S'assurer que le «Scotchfil» chevauche la partie isolée des fils.



FIGURE 2



FIGURE 3



FIGURE 4

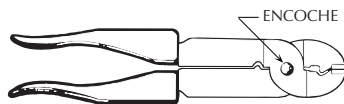


FIGURE 5



FIGURE 6

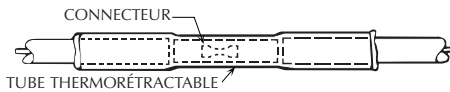


FIGURE 7

- G. Avec du ruban isolant électrique Scotch n° 33, bien envelopper chaque connexion; recouvrir le fil sur environ 1 1/2 pouce (38 mm) au-delà de la connexion. Mettre quatre épaisseurs de ruban. Autrement dit, lorsque l'on aura fini, on devra avoir quatre épaisseurs de ruban fermement enroulées autour des fils. Appuyer fermement le ruban sur les fils (se reporter à la Figure 6).

**NOTA :** Étant donné que le ruban isolant électrique enroulé autour des fils est le seul moyen d'empêcher l'eau de pénétrer dans les épissures, l'efficacité des épissures dépendra de la précaution que l'on aura pris pour envelopper les fils.

**NOTA :** Dans le cas de fils de calibre n° 8 (7 mm<sup>2</sup>) ou plus gros, les souder plutôt que d'utiliser du mastic isolant électrique Scotchfil (se reporter à la Figure 4).

#### 2. Épissure protégée par un tube thermorétractable (pour les fils de calibres nos 14, 12 et 10 AWG ou 2, 3 et 5,5 mm<sup>2</sup>) :

- A. Dénuder sur 9,5 mm (3/8 de pouce) l'extrémité des fils du moteur et des fils du câble.
- B. Glisser un tube thermorétractable en plastique sur les fils branchés entre le courant électrique et le moteur (se reporter à la Figure 7).
- C. Assortir la couleur et la longueur des fils du courant électrique et du moteur.
- D. Introduire les extrémités des fils du courant électrique et du moteur dans le manchon connecteur; sertir le manchon connecteur (se reporter aux Figures 2 et 3). Assortir la couleur des fils du courant électrique à celle des fils du moteur. Tirer sur les fils pour s'assurer que les connexions sont bien faites.
- E. Centrer le tube par-dessus le manchon connecteur et chauffer le tube avec une lampe à souder (la chaleur d'un briquet ou d'une allumette ne sera pas suffisante).

**NOTA :** Déplacer la lampe à souder de droite à gauche, ne pas la laisser toujours à la même place. Une trop forte concentration de chaleur risque d'endommager le tube (se reporter à la Figure 7).

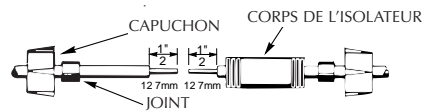


FIGURE 8



FIGURE 9

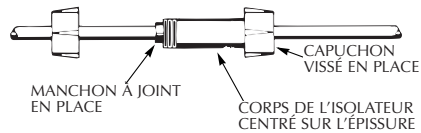


FIGURE 10



3. **Trousse pour les épissures mécaniques** avec isolateurs plastiques (pour les fils de calibre 2, 3 et 5,5 mm<sup>2</sup> ou 14, 12 et 10 AWG) :
  - A. Couper les fils du moteur. Décaler les longueurs des fils de façon que le 2<sup>e</sup> fil soit 101,6 mm (4 pouces) plus long que le 1<sup>er</sup> fil et que le 3<sup>e</sup> fil soit 101,6 mm (4 pouces) plus long que le deuxième.
  - B. Couper les extrémités du câble. Assortir la couleur et la longueur des fils du câble avec celle des fils du moteur.
  - C. Dénuder sur 13 mm (1/2 pouce) l'extrémité des fils du câble et l'extrémité des fils du moteur.
  - D. Dévisser les capuchons en plastique des isolateurs. Mettre un capuchon et un manchon à joint au néoprène sur chaque extrémité des fils à épisser (se reporter à la Figure 8).
  - E. Glisser le corps de l'isolateur sur une extrémité du fil (Figure 8).
  - F. Introduire l'extrémité du fil dans le manchon connecteur; serrer le manchon connecteur. **Assortir** la couleur des fils du moteur avec celles des fils du câble (se reporter à la Figure 9).
  - G. Centrer le corps de l'isolateur sur l'épissure, puis glisser les manchons en néoprène dans les corps aussi loin que possible. Visser les capuchons sur les corps des isolateurs (Figure 10) et les serrer à la main pour obtenir une épissure solide et étanche.

### BRANCHEMENT DES FILS DU COURANT ÉLECTRIQUE

1. Pour contrôler les câbles submersibles, les brancher momentanément (pas plus de 30 secondes) sur une bonne alimentation en courant. La tension et la fréquence du courant électrique doivent correspondre à la fréquence et à la tension indiquées sur la plaque signalétique du moteur à  $\pm 10\%$  près.
2. Bien attacher les fils du courant électrique sur la partie refoulement de la pompe; laisser entre 100 et 125 mm (4 et 5 pouces) de mou dans les fils à ce point. Bien attacher les fils sur le tuyau en plastique, à 6 pouces (150 mm) de la partie refoulement de la pompe. Utiliser des guides de centrage pour protéger la pompe et les tuyaux contre les dommages que pourraient causer le frottement contre le tubage du puits.
3. Brancher le fil en cuivre de mise à la terre sur le support du moteur. Le calibre du fil de mise à la terre doit être au moins le même, sinon plus gros, que les fils électriques alimentant en courant le moteur. Consulter les codes de la municipalité pour tous les renseignements concernant la mise à la terre.
4. N'utiliser que les fils submersibles fournis par le fabricant de la pompe. Lorsque l'on abaisse la pompe dans le puits, attacher, tous les 3,5 mètres (10 pieds), les fils sur le tuyau de refoulement avec du ruban isolant électrique Scotch n° 33. Faire bien attention de **NE PAS** endommager les fils de la pompe.
 

**NOTA :** Pour que la pompe ne tombe pas dans le puits et pour ne pas endommager le câble ou les épissures du câble, **NE JAMAIS** laisser le câble de la pompe supporter tout le poids de la pompe.

### INSTALLATION DE LA POMPE

1. Si un réservoir sous pression standard est utilisé, brancher deux orifices de purge à environ 0,60 mètre

(2 pieds) l'un de l'autre, comme il est illustré à la Figure 13 de la page 20. Ces orifices chargeront automatiquement le réservoir d'air. Se reporter à la Figure 13 pour déterminer l'emplacement des orifices.

**NOTA :** Si un réservoir préchargé est utilisé, **NE PAS** utiliser d'orifices de purge. Si la pompe et le réservoir préchargé sont remplacés par un système à réservoir standard, déposer les orifices de purge avant d'installer la pompe dans le puits.

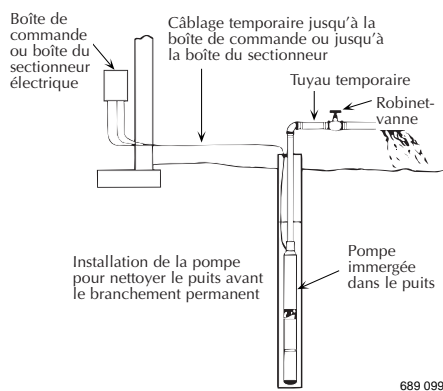
2. Pour que la pompe ne tombe pas au fond du puits, attacher un filin de sécurité (corde en polypropylène torsadé ou en pronila d'au moins 8 mm [5/16 de pouce]) suffisamment solide sur l'oeillet du refoulement de la pompe pour supporter la pompe et le tuyau de descente. Bien attacher l'autre extrémité du filin sur le joint du puits, le couvercle du puits ou le coulisseau de raccordement.
3. La sortie de refoulement comporte des filets de 1/4 pouce NPT. Utiliser un tuyau de plastique en polyéthylène d'une résistance nominale de 100 lb/po<sup>2</sup> pour les installations allant jusqu'à 30,5 m (100 pieds) de profondeur. Utiliser un tuyau en plastique en polyéthylène d'une résistance nominale de 160 lb/po<sup>2</sup> pour les installations allant jusqu'à 67,1 mètres (220 pieds) de profondeur. Pour les profondeurs dépassant 67,1 mètres (220 pieds), tout le tuyau de descente devra être en acier galvanisé.

### PREMIÈRE MISE EN SERVICE/PUIXS NEUFS

**NOTA :** **NE JAMAIS** faire fonctionner la pompe lorsque le robinet-vanne de refoulement est complètement fermé, sinon la pompe risque d'être détériorée et la garantie sera annulée.

**NOTA :** Pour éviter que le sable bouche la pompe, observer ce qui suit lorsque l'on démarre la pompe pour la première fois. **NE JAMAIS** mettre en marche une pompe lorsque le refoulement est complètement ouvert, à moins d'avoir procédé à ce qui suit en premier.

1. Brancher un coude de tuyau, une petite longueur de tuyau et un robinet-vanne sur le refoulement de la pompe, côté tête du puits (se reporter à la Figure 11).



**FIGURE 11 – Branchement temporaire pour nettoyer le puits avant la mise en service**

2. Poser la boîte de commande du moteur (pompe à 3 fils) ou un sectionneur à fusibles (pompe à 2 fils) dans un endroit qui sera toujours étanche. S'assurer que les commandes ne seront jamais soumises à une chaleur ni à une humidité extrêmes.
3. S'assurer que toutes les commandes sont sur ARRÊT.
4. Brancher les fils du moteur et les fils électriques de l'alimentation en courant sur la boîte de commande du moteur ou sur le démarreur magnétique (se reporter aux Schémas de câblage). **NE PAS DÉMARRER LA POMPE À CE POINT.**
5. Ouvrir de 1/3 le robinet-vanne du tuyau de refoulement; démarrer la pompe (se reporter à la Figure 11).
6. Laisser le robinet-vanne ouvert de 1/3 pendant que la pompe refoule l'eau sur le sol. Laisser fonctionner la pompe jusqu'à ce que l'eau ne contienne plus de sable ni de boue. (Pour vérifier si l'eau contient des matières solides, remplir un verre de l'eau pompée et laisser les solides se déposer.)
7. Lorsque l'eau coule complètement claire alors que le robinet-vanne est ouvert de 1/3, ouvrir le robinet-vanne à environ les deux tiers et répéter l'opération.
8. Lorsque l'eau coule complètement claire alors que le robinet-vanne est ouvert aux 2/3, ouvrir complètement le robinet-vanne et laisser fonctionner la pompe jusqu'à ce que l'eau coule complètement claire.
9. Déposer le robinet-vanne et procéder à l'installation permanente près du réservoir (se reporter aux Figures 12 et 13 des pages 13 et 14).
10. Poser un joint de puits sanitaire ou un coulisseau de raccordement, un conduit électrique et les tuyaux de surface conformément à tous les codes de la municipalité en vigueur.

### RACCORDEMENT SUR LE RÉSEAU D'EAU ET LE RÉSERVOIR

**⚠ AVERTISSEMENT** Pression dangereuse. Dans certains cas, les pompes submersibles peuvent développer des pressions extrêmement élevées. Pour que le réservoir n'éclate pas, poser une soupape de sûreté permettant au plein débit de la pompe de circuler dans les canalisations à 517 kPa (75 lb/po<sup>2</sup>). Lorsque l'on utilise un réservoir d'eau préchargé, poser une soupape de sûreté pouvant laisser passer le plein débit de la pompe à 690 kPa (100 lb/po<sup>2</sup>). Installer ce limiteur soupape de pression entre la pompe et le réservoir.

**⚠ AVERTISSEMENT** De la pâte d'étanchéité pour raccords filetés risque de fissurer les plastiques. N'utiliser que du ruban téflon pour rendre étanches les tuyaux en plastique.

**NOTA** : Si la pompe ou les tuyaux gèlent, la pompe risque d'être sérieusement endommagée et la garantie sera annulée. Protéger la pompe et tous les tuyaux (y compris le réservoir sous pression) contre le gel.

### Branchement sur un réservoir sous pression préchargé :

Se reporter à la Figure 12 de la page 13 pour le branchement des tuyaux sur un réservoir sous pression préchargé.

**NOTA** : Vérifier la pression d'air préchargée dans le réservoir avant de démarrer la pompe. Régler la précharge à 2 lb/po<sup>2</sup> de moins que le réglage de la pression de démarrage de la pompe. (Par exemple, un réservoir préchargé muni d'un pressostat réglé entre 30 et 50 doit être préchargé avec 28 lb/po<sup>2</sup> d'air.) Corriger la précharge en ajoutant ou en purgeant de l'air par la valve qui se trouve en haut du réservoir. Vérifier la précharge tous les ans. La corriger au besoin.

### Branchement sur un réservoir standard :

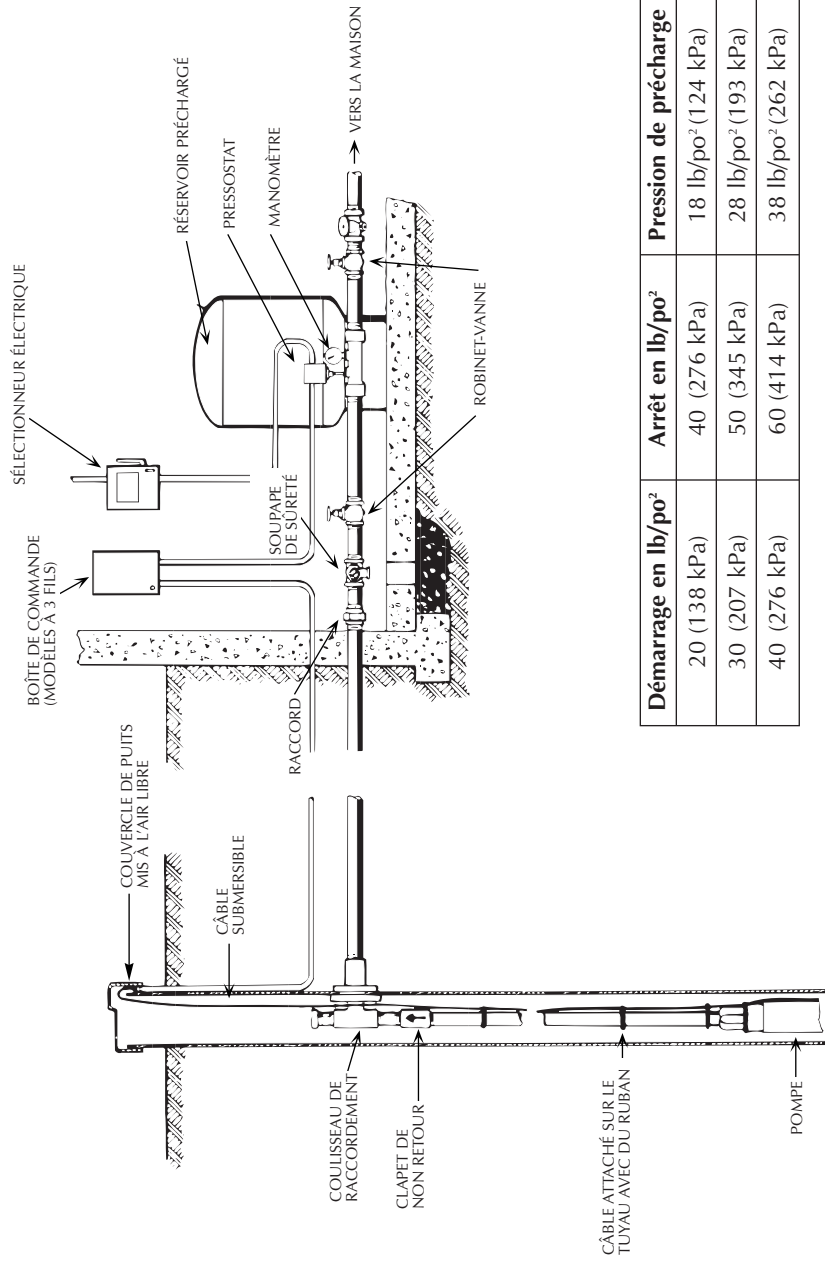
Se reporter à la Figure 13 de la page 14 pour le branchement des tuyaux sur un réservoir sous pression standard et pour connaître la bonne distance à laisser entre les orifices de purge et le réservoir sous pression.

## Renseignements importants concernant la mise électrique à la terre

**⚠ AVERTISSEMENT** Tension dangereuse. Risque de secousses électriques, de brûlures, voire de mort. Pour éviter tout risque de secousses électriques pendant le fonctionnement de la pompe, mettre à la terre et raccorder électriquement le moteur et la pompe en procédant comme suit :

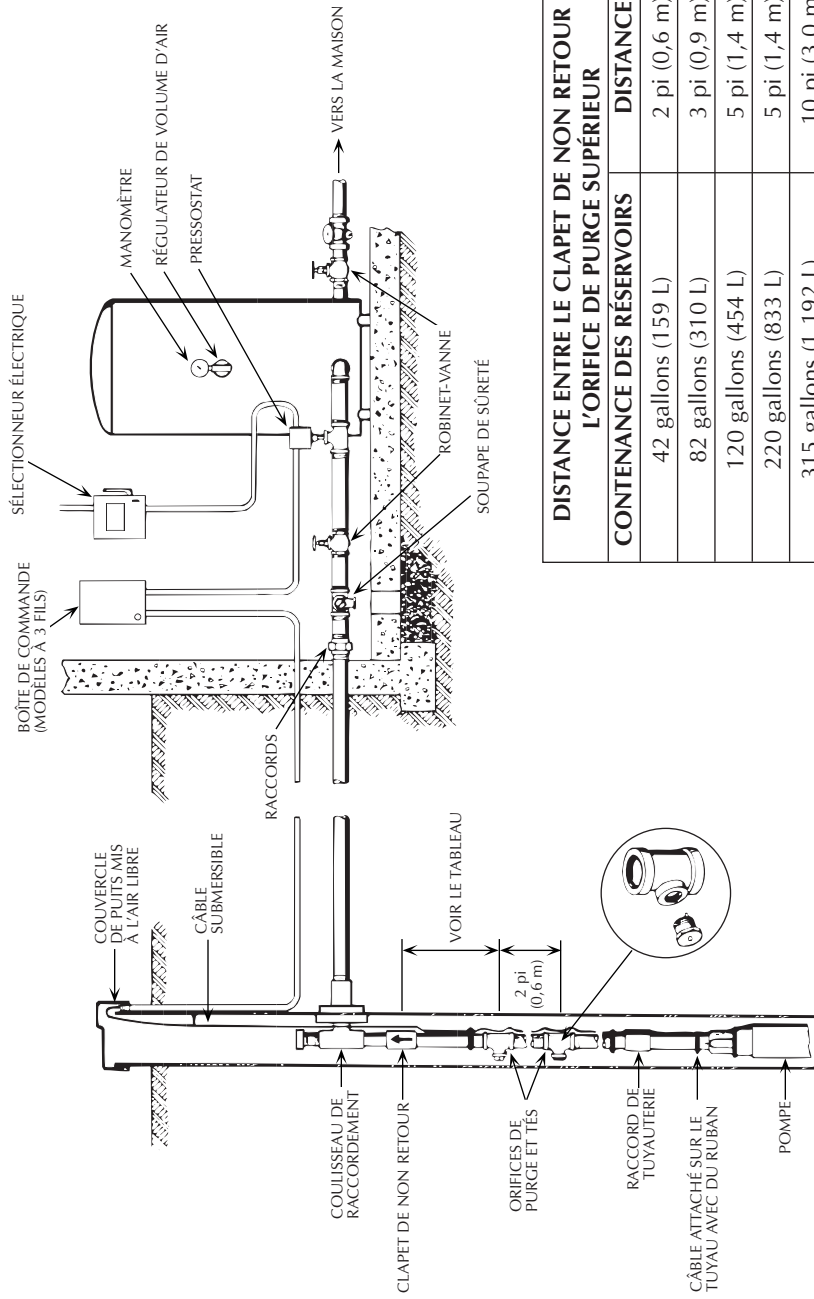
- A. Pour réduire les risques de secousses électriques que l'on pourrait subir avec les pièces métalliques de l'ensemble, à part la pompe, raccorder ensemble toutes les pièces métalliques accessibles à la tête du puits (y compris le tuyau de refoulement en métal, le tubage du puits en métal, etc.). Utiliser un fil de raccordement en métal dont le diamètre sera au moins aussi gros que les fils du câble d'alimentation en courant qui descend dans le puits, jusqu'au moteur de la pompe.
- B. Serrer, avec un collier, ou souder (ou les deux au besoin), ce fil de raccordement sur le moyen de mise à la terre prévu avec la pompe, qui pourra être la borne de mise à la terre de l'équipement, le fil de mise à la terre du carter de la pompe ou le fil de mise à la terre de l'équipement. Le fil de mise à la terre de l'équipement, lorsqu'il est prévu, sera le fil isolé d'une gaine verte; ce fil peut également comporter une ou plusieurs bandes jaunes.
- C. Mettre à la terre la pompe, le moteur et tous les conduits métalliques qui transportent les fils électriques du câble. Mettre à la terre ces éléments sur le service en branchant un fil de cuivre entre la pompe, le moteur et le conduit sur la vis de mise à la terre prévue dans le coffret de câblage de la boîte de connexion du courant d'alimentation. Le diamètre de ce fil doit être au moins aussi gros que les fils électriques du circuit alimentant la pompe.

**Conservez ces instructions.**



Démarrage en lb/po <sup>2</sup>	Arrêt en lb/po <sup>2</sup>	Pression de précharge
20 (138 kPa)	40 (276 kPa)	18 lb/po <sup>2</sup> (124 kPa)
30 (207 kPa)	50 (345 kPa)	28 lb/po <sup>2</sup> (193 kPa)
40 (276 kPa)	60 (414 kPa)	38 lb/po <sup>2</sup> (262 kPa)

FIGURE 12 – Installation typique d'une pompe submersible et d'un réservoir préchargé



DISTANCE ENTRE LE CLAPET DE NON RETOUR ET L'ORIFICE DE PURGE SUPÉRIEUR	
CONTENANCE DES RÉSERVOIRS	DISTANCE
42 gallons (159 L)	2 pi (0,6 m)
82 gallons (310 L)	3 pi (0,9 m)
120 gallons (454 L)	5 pi (1,4 m)
220 gallons (833 L)	5 pi (1,4 m)
315 gallons (1 192 L)	10 pi (3,0 m)
525 gallons (1 987 L)	15 pi (4,6 m)

FIGURE 13 – Installation d'un réservoir sous pression standard

## GUIDE DE RECHERCHE DES PANNES

PROBLÈMES	VÉRIFIER	MESURES CORRECTIVES
<p><b>Le moteur ne démarre pas. Les fusibles ne sont pas sautés</b> Pas de tension.</p>	<p>La tension ne parvient pas à la boîte à fusibles. La tension ne parvient pas au pressostat. La tension ne parvient pas à la boîte de commande. Mauvais câble ou mauvaises épissures. La boîte de commande est mal câblée.</p>	<p>Remplacer les fusibles sautés. Remplacer le pressostat défectueux. Refaire le câblage jusqu'à la boîte de commande. S'adresser à un technicien ou à un électricien qualifié. Bien rebrancher la boîte de commande (se reporter aux schémas de câblage, pages 6 à 8).</p>
<p><b>Les fusibles sautent ou le dispositif de protection contre les surcharges se déclenche lorsque le moteur démarre</b> Fusible de mauvais calibre ou fusible temporisé de mauvais calibre. Diamètre des fils trop petit. Condensateur du démarrage défectueux ou sauté. Haute ou basse tension. Les fils du câble sont mal branchés sur la boîte de commande. Fil cassé dans la boîte de commande. La pompe ou le moteur sont grippés.</p>	<p>Vérifier le calibre des fusibles en se reportant aux Tableaux II et III des pages 3 et 4. Vérifier le calibre des fusibles en se reportant au Tableau III de la page 4. Vérifier la boîte de commande pour s'assurer que le condensateur de démarrage n'a pas sauté. S'assurer que la tension du courant secteur correspond à <math>\pm 10\%</math> près de la tension de fonctionnement du moteur indiquée sur la plaque signalétique. Vérifier le schéma de câblage de la boîte de commande par rapport au branchement du courant d'arrivée. Vérifier la couleur des fils du câble dans le puits. Examiner toutes les connexions et le câblage dans la boîte de commande. Vérifier si le rotor de la pompe est bloqué.</p>	<p>Poser le bon fusible ou fusible temporisé. Poser des fils de diamètre adéquat. Remplacer le condensateur de démarrage. Si la fluctuation de la tension est supérieure à <math>\pm 10\%</math>, appeler la compagnie d'électricité pour qu'elle règle la tension. Rebrancher les fils de façon qu'ils correspondent au schéma de câblage se trouvant à l'intérieur du couvercle de la boîte de commande. Rebrancher le câble de descente dans le puits de façon que la couleur des fils du câble s'assortissent à celles des fils du moteur. Couper le courant et réparer ou remplacer le fil défectueux. Au besoin, sortir la pompe du puits (avant cela, procéder à toutes les vérifications en surface). Si la pompe est grippée, la remplacer. Nettoyer le puits de tout le sable ou de toute la boue avant de réinstaller la pompe.</p>
<p><b>Les fusibles fondent ou le dispositif de protection contre les surcharges se déclenche lorsque le moteur fonctionne</b> Haute ou basse tension. Température ambiante (atmosphérique) élevée. Boîte de commande de mauvaise tension ou de mauvaise puissance. Diamètre des fils trop petit. Les épissures des fils du câble ou du moteur font contact avec la terre, sont en court-circuits ou ouverts.</p>	<p>S'assurer que la tension du courant secteur correspond à <math>\pm 10\%</math> près de la tension de fonctionnement du moteur indiquée sur la plaque signalétique. Vérifier la température de la boîte de commande. Comparer la tension et la puissance indiquées sur la plaque signalétique du moteur par rapport à celles indiquées sur la plaque signalétique de la boîte de commande ou sur le schéma de câblage se trouvant à l'intérieur du couvercle de la boîte de commande. Vérifier le calibre des fils en se reportant au Tableau III de la page 4. Consulter un électricien ou un technicien qualifié.</p>	<p>Si la fluctuation de la tension est supérieure à <math>\pm 10\%</math>, appeler la compagnie d'électricité pour qu'elle règle la tension. Ne pas monter la boîte de commande dans un endroit où elle sera directement exposée aux rayons du soleil. Remplacer la boîte de commande si les spécifications ne correspondent pas. Poser des fils de diamètre adéquat. Ne pas essayer de démonter la pompe ni le moteur.</p>
<p><b>La pompe démarre trop fréquemment</b> Fuite dans le système. Pressostat. Réservoir saturé d'eau. Fuites du tuyau de descente dans le puits. Pressostat trop éloigné du réservoir.</p>	<p>Vérifier tous les raccords du réservoir avec une eau savonneuse à la recherche de fuites d'air. Vérifier la tuyauterie à la recherche de fuites. Vérifier si le pressostat n'est pas défectueux ou s'il n'est pas déréglé. Précharger les réservoirs; vérifier la pression de l'air de précharge; s'assurer que le diaphragme ne fuit pas. Réservoirs sous pression : S'assurer qu'il n'y a pas de fuites d'air. Vérifier le régulateur de volume d'air. Vérifier le fonctionnement du reniflard. Sortir une longueur à la fois de tuyau jusqu'à ce que l'eau reste dans le tuyau. Mesurer la distance entre le pressostat et le réservoir.</p>	<p>Le système doit être étanche à l'air et à l'eau. Régler ou remplacer le pressostat. Précharger les réservoirs : régler la pression de l'air à 2 lb/po<sup>2</sup> (13,8 kPa) sous la pression de mise en marche de la pompe (alors qu'il n'y a pas de pression d'eau dans le système). Remplacer le diaphragme au besoin. Réservoirs sous pression : réparer ou remplacer les réservoirs. Remplacer les reniflards au besoin. Remplacer les tuyaux à partir de ce point. Déplacer le pressostat à un pied du réservoir.</p>

## GUIDE DE RECHERCHE DES PANNES - (Suite)

PROBLÈMES	VÉRIFIER	MESURES CORRECTIVES
<b>Très peu de débit ou pas de débit d'eau</b>		
Le clapet de non retour de l'orifice de purge est grippé ou a été posé à l'envers (réservoir standard seulement).	Examiner le clapet.	Si le clapet est grippé, le dégripper; s'il est posé à l'envers, le mettre à l'endroit.
Niveau d'eau bas.	Déterminer le niveau d'eau le plus bas dans le puits pendant que la pompe fonctionne et le comparer au réglage en profondeur de la pompe.	Abaisser plus la pompe plus profondément dans le puits (mais pas à moins de 1,6 mètre (5 pieds) du fond du puits). Etrangler le refoulement de la pompe jusqu'à ce que le refoulement corresponde au taux de récupération du puits. <b>NOTA</b> : Faire fonctionner la pompe alors qu'il y a des poches d'air risque de causer une perte d'amorçage et de sérieusement endommager la pompe.
Basse tension.	Vérifier la tension à la boîte de commande pendant que la pompe fonctionne. Vérifier le calibre des fils d'arrivée et le calibre du câble descendant dans le puits en se reportant au Tableau III de la page 4.	Poser des fils de plus grand diamètre entre le compteur électrique et la boîte de commande. Poser des fils de plus grand diamètre entre la boîte de commande et la pompe. Au besoin, demander à la compagnie d'électricité d'augmenter la tension.
Crépine d'aspiration bouchée.	Sortir la pompe de puits et vérifier l'état de la crépine.	Nettoyer ou remplacer la crépine selon le besoin.
Clapet de non retour du refoulement de la pompe grippé.	Sortir la pompe et examiner le clapet.	Dégripper le clapet.
Impulseurs et diffuseurs usés.	S'assurer que le système n'est pas obstrué, que la pompe est bien immergée dans de l'eau ne contenant pas d'air et que la pompe fonctionne normalement.	Remplacer la pompe.
<b>De l'air ou de l'eau laiteuse sort des robinets</b>		
Gaz dans l'eau du puits.	Vérifier s'il y a présence de gaz dans l'eau du puits.	Déposer les orifices de purge; boucher les tés. S'assurer que les tés bouchés ne fuient pas. Au besoin, séparer le gaz de l'air avant son entrée dans le réservoir sous pression.
Le régulateur du volume d'air ne fonctionne pas (réservoirs standard seulement).	S'assurer que les orifices et que les clapets de non retour sont dégagés.	Au besoin, remplacer la commande.

## ATTACHER LE REÇU D'ORIGINE ICI À DES FINS DE GARANTIE

SIMER garantit à l'acheteur-utilisateur initial de ses produits ("Acheteur") contre tout défaut de fabrication et de matériaux.

Tout produit reconnu défectueux dans les douze (12) mois qui suivent la date d'achat d'origine sera remplacé ou réparé à la discrétion de SIMER, selon les conditions stipulées ci-dessous. La preuve d'achat est exigée pour déterminer l'admissibilité à la garantie.

### Exceptions à la garantie de douze (12) mois

Produits/N° de modèle	Période de garantie
M40P, M40, BW85P, CM10, CMK	90 jours
2330, 2300, 2310, 2955, 2956, 2957, 2960, A5500	2 ans
Pompe pour puits submersibles de 4 pouces, 3984, 3983, 2975PC, 2958, 2985, 3075SS	3 ans
Réservoir préchargé de système d'eau, 3986, 3985, 2956	5 ans
3988, 3995, 3997, 3963	À vie

### Conditions générales

L'Acheteur s'engage à payer tous les frais de main-d'œuvre et d'expédition nécessaires au remplacement du produit couvert par la garantie. Cette garantie ne couvrira pas les cas de force majeure, et ne s'appliquera pas aux produits qui, du seul avis de SIMER, ont fait l'objet de négligence, d'utilisation abusive ou incorrecte, d'accident, de modification ou d'altération ; ni aux produits qui n'ont pas été installés, utilisés, entreposés ou entretenus correctement ; ni à ceux qui n'ont pas été utilisés ou entretenus normalement, y compris, mais sans s'y limiter, aux produits ayant des pannes de fonctionnement causées par la corrosion, la rouille ou autre corps étranger dans le système, ou à des produits ayant fonctionné à des pressions dépassant la limite maximale recommandée.

Les demandes de service en vertu de la présente garantie seront faites en retournant le produit défectueux au détaillant ou à SIMER dès la découverte de tout défaut allégué. SIMER prendra alors les mesures correctives aussi rapidement qu'il est raisonnablement possible. Aucune demande de service en vertu de la présente garantie ne sera acceptée si elle est reçue plus de 30 jours après l'expiration de la dite garantie.

La présente garantie énonce la totalité des obligations de SIMER et le seul recours possible de l'Acheteur dans le cas de produits défectueux.

**SIMER NE SERA TENU RESPONSABLE D'AUCUN DOMMAGE INDIRECT, ACCIDENTEL OU FORTUIT QUEL QU'IL SOIT.**

**LES PRÉSENTES GARANTIES SONT EXCLUSIVES ET TIENNENT LIEU DE TOUTE AUTRE GARANTIE EXPRESSE. LES GARANTIES IMPLICITES, Y COMPRIS, MAIS SANS S'Y LIMITER, LES GARANTIES IMPLICITES AYANT TRAIT À LA COMMERCIALISABILITÉ ET À L'ADAPTATION À UN USAGE PARTICULIER, NE DÉPASSERONT PAS LA DURÉE DES GARANTIES EXPRESSES APPLICABLES STIPULÉES DANS LES PRÉSENTES.**

Certaines provinces n'autorisent pas d'exclure ou de limiter les dommages fortuits ou indirects ou de limiter la durée d'une garantie implicite ; il se peut donc que les limitations ou exclusions ci-dessus ne s'appliquent pas à votre cas. La présente garantie vous donne des droits juridiques spécifiques et vous pouvez en avoir d'autres qui varient d'une province à l'autre.

**SIMER • 293 Wright Street • Delavan, WI U.S.A. 53115**

**Téléphone: 1-800-468-7867/1-800-546-7867 • Télécopieur: 1-800-390-5351**

**Courrier électronique: [info@simerpumps.com](mailto:info@simerpumps.com) • Site Web: <http://www.simerpumps.com>**





## Español

**¡ES IMPORTANTE QUE LEA Y OBSERVE CUIDADOSAMENTE TODAS LAS INSTRUCCIONES DE SEGURIDAD EN ESTE MANUAL O EN LA BOMBA!**



**Este es un símbolo de alerta sobre la seguridad.** Cuando vea este símbolo en su bomba o en este manual, busque para ver si hay alguna de las siguientes palabras de señal y esté alerta sobre la posibilidad de lesiones personales.



**PELIGRO** Advierte sobre peligros que ocasionarán lesiones personales graves, muerte o daños considerables a la propiedad si se les ignora.



**ADVERTENCIA** Advierte sobre peligros que pueden ocasionar lesiones personales graves, muerte o daños considerables a la propiedad si se ignoran.



**PRECAUCIÓN** Advierte sobre peligros que ocasionarán o pueden ocasionar lesiones personales o daños a la propiedad menores si se ignoran. La palabra **AVISO** Indica instrucciones especiales que son importantes pero que no están relacionadas con los peligros.

**Para evitar lesiones personales graves o fatales y posibles daños a la propiedad, lea y observe cuidadosamente las instrucciones de seguridad.**

- ADVERTENCIA** Presión peligrosa. Bajo ciertas condiciones, las bombas sumergibles pueden desarrollar una presión extremadamente alta. Instale una válvula de desahogo de presión capaz de pasar el caudal total de la bomba a 75 psi (517 kPa) cuando use un tanque de presión de aire sobre agua. Instale una válvula de desahogo de presión capaz de pasar el caudal total de la bomba a 100 psi (690 kPa) cuando use un tanque de presión precargado.



**No permita que la bomba, el tanque de presión, las tuberías, ni ningún otro componente del sistema que contenga agua se congele ya que el congelamiento puede dañar el sistema, resultando en lesiones o inundaciones. Si se deja que la bomba o los componentes del sistema se congelen, ello anulará la garantía.**

- ADVERTENCIA** Tensión peligrosa. Puede causar choques, quemaduras o muerte. Para evitar la posibilidad de choques eléctricos peligrosos o fatales, use la bomba solamente en un pozo de agua.



**Riesgo de choque eléctrico peligroso o fatal.** No instale esta bomba en estanques, ríos o masas de agua abiertas que se puedan usar para natación o recreación. No nade, camine ni juegue en masas de agua en las que se haya instalado una bomba sumergible.



Instale, ponga a tierra y conecte la bomba conforme a los códigos locales y a los requisitos del Código Eléctrico Nacional.



Desconecte el suministro de corriente eléctrica antes de instalar o realizar trabajos de servicio o mantenimiento en la bomba.



Asegúrese de que la tensión de línea y la frecuencia del suministro de corriente corresponda con la tensión y la frecuencia que aparecen en la placa de fábrica del motor.

3. Instale la bomba conforme a todos los requisitos de fontanería y de los códigos para bombas y pozos.
4. Haga una prueba con el agua del pozo para determinar su pureza antes de usarla. Llame a su departamento local de sanidad para obtener información sobre el procedimiento de prueba.
5. Durante la instalación, mantenga el pozo cubierto lo más posible para evitar que hojas y materias foráneas caigan en el pozo. Los objetos foráneos en el pozo pueden contaminar el agua y causar daños mecánicos graves en la bomba.
6. El compuesto para uniones de tuberías puede causar rajaduras en el plástico. Use solamente cinta de teflón cuando selle las juntas en una tubería de plástico o conecte tuberías a bombas de termoplástico.

## TABLA DE MATERIAS

Instrucciones de seguridad	25
Pre-instalación	25
Información eléctrica	25-29
Instalación	29
Arranque inicial	29-30
Conexión al Tanque/Sistema de Agua	30
Guía de localización de fallas	33-34
Garantía	35

## PRE-INSTALACIÓN

Inspeccione la bomba y el motor para verificar que no se hayan dañado durante el envío. Informe inmediatamente a su empresa de transporte o a su representante sobre cualquier daño que descubra.

El perforador de pozos deberá preparar el pozo debidamente (es decir, extraer toda la arena fina y materiales foráneos) antes de instalar la bomba. Consulte la sección de Arranque Inicial, en la página 29.

El rendimiento de la bomba se basa en el bombeo de agua limpia, fría y líquida sin arrastre de aire.

La garantía quedará anulada en los siguientes casos:

- Si la bomba ha bombeado demasiada arena - una cantidad excesiva de arena puede causar el desgaste prematuro de la bomba.
- Si el agua es corrosiva.
- Si se encuentra gas o aire arrastrado en el agua que se bombea - esto puede reducir el flujo y causar cavitación con el resultante perjuicio para la bomba.
- Si la bomba ha sido operada con la válvula de descarga cerrada - puede resultar en daños internos graves.

Instale la bomba por lo menos entre 15 y 20 pies (4,5 a 6 m) debajo del nivel más bajo de agua al que se llegue con la bomba marchando (el nivel más bajo de aspiración adicional de agua), y por lo menos a 5 pies (1,5 m) encima del fondo del pozo.

## PUESTA A TIERRA



**Tensión peligrosa. Puede causar choques, quemaduras o muerte. Conecte la bomba, el motor y la caja de control a tierra en forma permanente antes de conectar el suministro de energía al motor.**

Conecte la bomba y el motor a tierra conforme a los códigos y reglamentos locales. Use un hilo de cobre de puesta a tierra que sea por lo menos tan grande como los hilos que llevan la corriente al motor.

El motor viene con un hilo de cobre de conexión a tierra.

Empalme el hilo de conexión a tierra al conductor de cobre que corresponda al tamaño del hilo del motor especificado en la Tabla III. Consulte la página 28 para las instrucciones de empalme del hilo.

Conecte la bomba, el motor y la caja de control en forma permanente antes de conectar el cable de corriente al suministro de corriente. Conecte el hilo de puesta a tierra a una puesta a tierra aprobada primero y luego conéctelo al equipo que se está instalando.

**No conecte a tierra por medio de una línea de suministro de gas.**

**⚠ ADVERTENCIA** Peligro de choque eléctrico y de incendio. Si usa un hilo de suspensión mayor que el No. 10 (5,5 mm<sup>2</sup>) (por ejemplo, un hilo No. 8 (8,4 mm<sup>2</sup>)), entre la bomba y la caja de control, haga correr el hilo a una caja separada de empalmes. Conecte la caja de empalmes a la caja de control con un hilo No. 10 (5,5 mm<sup>2</sup>) o menor (dependiendo de la clasificación de amperaje de la bomba - consulte la Tabla III).

Para mayor información, comuníquese con las autoridades de códigos locales.

### CONEXIONES DE CABLES:

Todo el cableado debe cumplir con el Código Eléctrico Nacional o con el Código Eléctrico Canadiense y los requisitos de los códigos locales.

Use solamente hilos de cobre para las conexiones a la bomba y a la caja de control.

Para evitar que el hilo se recaliente y que haya una caída excesiva de tensión en el motor, asegúrese de que el tamaño del hilo sea por lo menos tan grande como el tamaño indicado en la Tabla III para el cableado de su bomba y el largo de recorrido del hilo.

**AVISO:** Cuando no se suministre una protección incorporada contra recalentamiento, úsela con un control de motor equipado con una sobrecarga aprobada que corresponda a la potencia de entrada del motor en amperios de carga total. Seleccione o ajuste el elemento o los elementos de sobrecarga según las instrucciones del control. Cuando se suministre una protección incorporada contra sobrecarga, úsela con un control de motor aprobado que corresponda a la potencia de entrada del motor en amperios de carga total.

**TABLA I: Información sobre fusibles recomendados - motores de bombas sumergibles estándar de 60 Hz, monofásicos y trifilares y motores de bombas sumergibles de marcha por compensador, trifilares**

hp	Voltaje	Capacidad del fusible	
		Estándar	Doble elemento
1/2	115	35	20
1/2	230	20	10
3/4	230	25	15
1	230	30	20
1.5	230	35	20

**TABLA II: Información sobre fusibles recomendados: motores de bombas sumergibles de 60 Hz, monofásicos y bifilares**

### DIAGRAMAS DE INSTALACIÓN DE CABLEADO - MONOFÁSICO, TRIFILAR

hp	Voltaje	Capacidad del fusible	
		Estándar	Doble elemento
1/2	115	35	20
1/2	230	20	10
3/4	230	25	15
1	230	30	20

**⚠ ADVERTENCIA** Para motores de 1½ CV y superiores, use un arrancador magnético para evitar dañar el conmutador a presión. Consulte con la fábrica para obtener información sobre el cableado.

Ver página 27 para la conexión bifilar.

**⚠ ADVERTENCIA** Tensión peligrosa. Puede causar choques, quemaduras o muerte.

Conecte la caja de control a tierra, toda la fontanería metálica y el armazón del motor con hilos de cobre conforme a los códigos locales. Use un hilo de puesta a tierra por lo menos tan grande como los hilos que suministran potencia al motor. Cierre toda abertura que no use en este y en todo otro equipo en forma permanente.

Desconecte la corriente a la caja de control antes de trabajar en o alrededor de la misma, de las tuberías, del cable, de la bomba o del motor.

### CUADRO IIIA: Largo del cable de cobre en pies (Servicio al motor)

Tamaño de cable monofásico, trifilar o bifilar, 60 Hz.

Voltios	HP	14AWG	12AWG	10AWG	8AWG	6AWG	4AWG	3AWG	2AWG	1AWG
115V	1/2	100'	160'	250'	390'	620'	960'	1190'	1460'	1780'
230V	1/2	414	658	1047	1664	2646	4207	5307	6689	8438
	3/4	308	489	778	1237	1967	3127	3944	4971	6271
	1	256	407	647	1028	1635	2600	3280	4134	5214
	1-1/2	179	285	453	721	1146	1822	2298	2897	3654

### CUADRO IIIB: Largo del cable de cobre en metros (Servicio al motor)

Tamaño de cable monofásico, trifilar o bifilar, 60 Hz en mm<sup>2</sup>

Voltios	HP	KW	2.5	4	6	10	16	25	35	50	70
115V	1/2	.37	30m	49m	76m	119m	189m	292m	362m	445m	542m
230V	1/2	.37	126	200	319	507	806	1282	1617	2038	2571
	3/4	.55	93	149	237	377	599	953	1202	1515	1911
	1	.75	78	124	197	313	498	792	999	1260	1589
	1-1/2	1.1	54	86	138	219	349	555	700	883	1115

Todos los largos de cable cumplen con las normas de NEC para cables de cobre encaquetados de 60°C. Basado en los requerimientos del funcionamiento por inducción trifilar; Los requerimientos del funcionamiento por capacitor pueden variar. Los requerimientos de las normas locales pueden variar. Para cables de aluminio, escoger dos tamaños más grandes que en el cuadro (por ejemplo, si el cuadro indica No. 10 AWG (6 mm<sup>2</sup>) para cobre, escoger No. 8 AWG (10 mm<sup>2</sup>) para aluminio; cuanto más pequeño es el número, mayor es el cable). Se deben usar inhibidores de corrosión en las conexiones.

Para asegurarse de que el relé de arranque funcione y que la sobrecarga no se “disparará inútilmente”, instale la caja de control verticalmente con la parte superior hacia arriba.

Conecte los cables de la caja de control según se ilustra en las Figuras 1A y 1B. La bomba no funcionará sin la caja de control.

Las cajas de lujo requieren un conmutador o un conductor de empalme entre los bornes “SW” y L2”.

La operación sin la caja de control quemará el motor trifilar.

La instalación debe incluir protección del circuito y de los componentes que cumplan con los códigos locales y con los requisitos del Código Eléctrico Nacional de los Estados Unidos.

Si la sobrecarga principal se dispara, verifique que no haya:

1. un condensador en corto circuito;

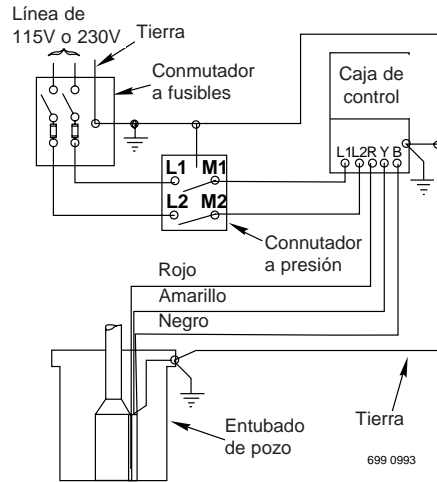
2. problemas de tensión;

3. una bomba sobrecargada o atascada.

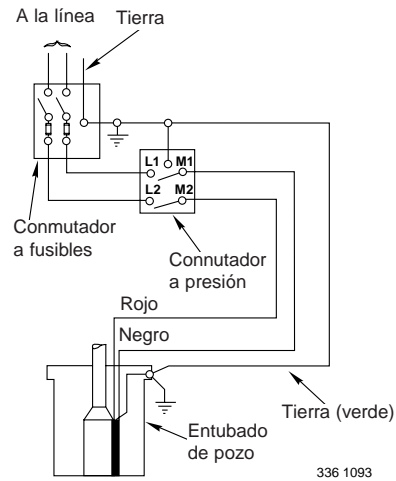
**AVISO:** Haga corresponder el motor con la caja de control según se ilustra a continuación. El motor y los números de modelo de la caja de control pueden incluir números de sufixos adicionales a la derecha de los números ilustrados aquí. Estos números adicionales no son importantes para la selección de la caja de control.

**TABLA V: Selección de la caja de control**

hp	Voltaje	Motor No.	Caja de control No.
1/2	115	214504	28010449
1/2	230	TES-00460053	SMCT-CR0521
3/4	230	TES-00460370	SMCT-CR0721
1	230	TES-00461320	SMCT-CR1021
1-1/2	230	TES-00461965	SMCT-CR1521



**FIGURA 1A - Caja trifilar de desconexión rápida.** Siga los códigos de color cuando conecte la caja de control (amarillo a Y (yellow), rojo a R (red), negro a B (black)).



**FIGURA 1B - Las bombas bifilares con conexiones monofásicas y bifilares tienen dos hilos de suministro de corriente (rojo y blanco) y un hilo de puesta a tierra (verde). No se requiere una caja de control. Esta es la información correcta sólo para las conexiones de motores bifilares de 115 y 230 voltios.**

## Instalación

### EMPALME DE CABLES

1. Empalme el hilo a los conductores del motor. Use solamente hilos de cobre para las conexiones con el motor de la bomba y la caja de control.

**1. Empalme encintado** (hilos de tamaño No. 8 (8,4 mm<sup>2</sup>) y mayores):

- Corte los conductores del motor. Alterne el largo del conductor y del hilo hasta que el segundo conductor sea 2 pulgadas (50 mm) más largo que el primero, y el tercer conductor sea 2 pulgadas (50 mm) más largo que el segundo.
- Haga corresponder los colores y lo largos de los hilos con los colores y lo largos de los conductores del motor.
- Recorte al aislamiento 1/2" (13 mm) hacia atrás de los extremos del cable y de los extremos del conductor del motor.
- Introduzca los extremos del conductor del motor y los extremos del cable en el conector de tope (ver Figura 2). Haga corresponder los colores del hilo entre los hilos de suministro y los conductores del motor.
- Usando tenazas de plegar (Figura 5), indente las salientes del conector de tope.
- Corte masilla para aislamiento eléctrico "Scotchfil" en 3 porciones iguales y apriétela alrededor de los conectores de tope.

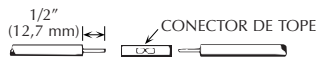


FIGURA 2



FIGURA 3

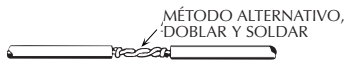


FIGURA 4

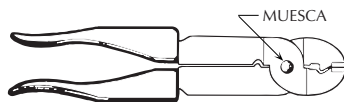


FIGURA 5



FIGURA 6

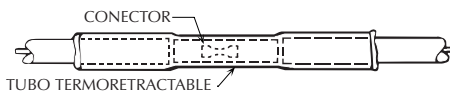


FIGURA 7

Asegúrese de que el Scotchfil quede superpuesto sobre la parte aislada del hilo.

- Usando una cinta adhesiva #33, envuelva cada unión bien apretada; cubra el hilo 1/2" (38 mm) más o menos de cada lado de la unión. Pase la cinta cuatro veces. Es decir, cuando termine, deberá tener cuatro capas de cinta bien apretada alrededor del hilo. Presione los bordes de la cinta con firmeza contra el hilo (ver Figura 6).

**AVISO:** Debido a que la cinta bien apretada alrededor del hilo es la única forma de mantener el agua alejada del empalme, la eficacia del empalme dependerá del cuidado que se tenga cuando se envuelva la cinta.

**AVISO:** Para hilos de tamaño más grande que #8 (7 mm<sup>2</sup>) use uniones soldadas en lugar de masilla Scotchfil (ver Figura 4).

**2. Empalme termoretractable** (Para hilos de tamaños #14, 12 y 10 AWG, o 2, 3, y 5 mm<sup>2</sup>):

- Saque el aislamiento de 3/8" (9,5 mm) de los extremos de los conductores del motor y de los hilos de suministro de corriente.
- Coloque el tubo de empalme termoretractable sobre los conductores del motor entre el suministro de corriente y el motor (ver Figura 7).
- Haga corresponder los colores y los largos de los hilos entre el suministro de corriente y el motor.
- Introduzca el hilo de suministro y los extremos del conductor en el conector de tope y pliegue (Ver figuras 2 y 3). Haga corresponder los colores entre el suministro de corriente y el motor. Tire de los conductores para verificar las conexiones.
- Coloque el tubo en el centro sobre el conector de tope y aplique calor en forma uniforme con un soplete (un fósforo o encendedor no suministrarán suficiente calor).

**AVISO:** Mantenga el soplete en movimiento. Demasiada concentración de calor puede dañar el tubo (ver Figura 7).

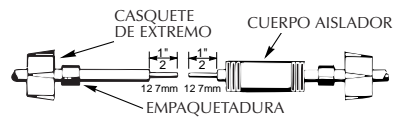


FIGURA 8

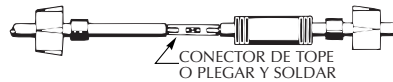


FIGURA 9

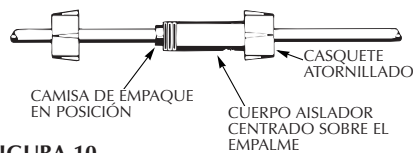


FIGURA 10

**3. Juego de empalme mecánico con aisladores de plástico** (para hilos de AWG 14, 12, y 10, o 2, 3, y 5,5 mm<sup>2</sup>) :

- A. Corte los conductores del motor. Alterne el largo del conductor y del hilo hasta que el segundo conductor sea 4 pulgadas (101,6 mm) más largo que el primero, y el tercer conductor sea 4 pulgadas (101,6 mm) más largo que el segundo.
- B. Haga corresponder los colores y lo largos de los hilos con los colores y lo largos de los conductores del motor.
- C. Recorte al aislamiento 1/2" (13 mm) hacia atrás de los extremos del cable y de los extremos del conductor del motor.
- D. Destornille los casquetes de plástico de los aisladores. Coloque un casquete y una camisa de empaque de neopreno en cada extremo del hilo que se va a empalmar (ver Figura 8).
- E. Deslice el cuerpo aislador sobre un extremo del hilo (Figura 8).
- F. Introduzca el extremo del hilo en el conector de tope y pliegue. Haga corresponder los colores del cable y del hilo del motor (ver Figura 9).
- G. Coloque el cuerpo aislador en el centro sobre el empalme y deslice las camisas de neopreno lo máximo posible dentro del cuerpo. Atornille los casquetes en el cuerpo aislador (Figura 10) y apriete con la mano para obtener un empalme fuerte e impermeable.

**INSTALACIÓN DE LOS HILOS DE SUMINISTRO DE CORRIENTE**

1. Para hacer una prueba con el sumergible, conéctelo por un momento (no más de 30 segundos) a un suministro de corriente adecuado. La frecuencia y la tensión del suministro de corriente deben corresponder con la frecuencia y a la tensión en la placa de fábrica del motor con una desviación máxima de ±10%.
2. Una los hilos conductores de suministro de corriente en forma segura a la sección de descarga de la bomba; deje 4-5" (100-125 mm) de flojedad en los conductores a esta altura. Una los conductores en forma segura al tubo de plástico, dentro de 6" (150 mm) de la sección de descarga de la bomba. Use guías de centrado para evitar que el hilo y los tubos se frotan contra el entubado del pozo.
3. Conecte el hilo de cobre de puesta a tierra con el puntal del motor. El hilo de puesta a tierra debe ser por lo menos tan grande como los hilos que suministren la corriente al motor. Consulte los códigos locales para obtener información sobre la puesta a tierra.
4. Use solamente hilos sumergibles de suministro de corriente suministrados por el fabricante de la bomba. Cuando baje la bomba al pozo, asegure los hilos de suministro a la tubería de descarga a intervalos de 10' (3,5 m) con cinta eléctrica Scotch #33. **NO dañe** los hilos de la bomba.

**AVISO:** Para evitar dejar caer la bomba en el pozo o dañar el cable o los empalmes del cable, **NUNCA** deje que el cable de la bomba soporte el peso de la bomba.

**INSTALACIÓN DE LA BOMBA**

1. Si se usa un tanque de presión estándar de aire sobre agua, instale dos orificios de purga a unos 2' (0,6 m) de distancia entre ellos según se ilustra en la

Figura 13, página 32. Los orificios cargarán el tanque con aire automáticamente. Consulte la Figura 13 para determinar la ubicación del orificio. **AVISO:** Si usa un tanque precargado, **NO** instale orificios de purga. Si la bomba y el tanque precargado están reemplazando a un sistema de tanque estándar, elimine los orificios de purga antes de instalar la bomba en el pozo.

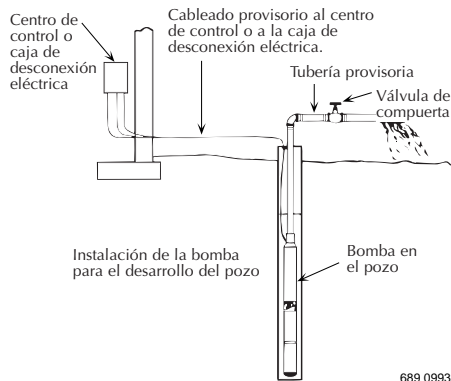
2. Para evitar perder la bomba por el pozo, conecte una cuerda de seguridad lo suficientemente fuerte como para sostener la bomba y la columna descendente (una cuerda trenzada de polipropileno o pronila de un mínimo de 5/16" (8 mm) ) y ojetear en la descarga de la bomba. Ate el otro extremo de la cuerda de seguridad al sello del pozo, al casquete del mismo o al adaptador deslizante de derivación.
3. La salida de descarga tiene una rosca de 1/4" NPT. Use un tubo de plástico de polietileno con clasificación para 100 psi en las instalaciones de hasta 100' (30,5 m) de profundidad. Use un tubo de plástico de polietileno para instalaciones de hasta 220' (67,1 m) de profundidad. Para profundidades mayores de 220' (67,1 m) use un tubo de acero galvanizado para toda la columna descendente.

**ARRANQUE INICIAL/NUEVOS POZOS**

**AVISO:** **NUNCA** opere la bomba con la válvula de descarga totalmente cerrada. La bomba se puede destruir si funciona con la descarga cerrada (bloqueo) y ello anulará la garantía.

**AVISO:** Para evitar que la bomba se obstruya con arena, siga el procedimiento que aparece a continuación cuando arranque la bomba por primera vez. **NUNCA** arranque una bomba con la descarga completamente abierta a menos que primero haya seguido este procedimiento.

1. Conecte un codo de tubería, un tubo corto y una válvula de compuerta en la descarga de la bomba a la altura del cabezal del pozo (ver Figura 11).



**FIGURA 11 – Conexiones provisionarias mientras se limpia el pozo para el arranque**

2. Coloque la caja de control del motor (bomba trifilar) o el conmutador a fusibles (bomba bifilar) en un lugar permanentemente impermeable. Asegúrese de que los controles no se vean expuestos a demasiado calor o humedad.
3. Asegúrese de que los controles estén en la posición apagada (OFF).
4. Conecte los conductores del motor y los hilos de suministro de corriente a la caja de control del motor o al arrancador magnético (ver Diagramas de Cableado). **AÚN NO ARRANQUE LA BOMBA.**
5. Coloque la válvula de compuerta en la posición de descarga 1/3 abierta; arranque la bomba (ver Figura 11).
6. Mantenga la válvula de compuerta en esta posición mientras el agua bombea hacia el suelo. Déjela marchar hasta que el agua no tenga vestigios de arena o de limo. (Para verificar si hay partículas sólidas en el agua, llene un vaso con el agua de la bomba y deje que los sólidos se asienten).
7. Cuando el agua esté completamente limpia a la graduación de 1/3, abra la válvula de compuerta dejándola aproximadamente dos tercios abierta y repita el proceso.
8. Cuando el agua esté completamente limpia a la graduación de 2/3, abra completamente la válvula de compuerta y haga marchar la bomba hasta que el agua esté completamente limpia.
9. Saque la válvula de compuerta para una instalación permanente cerca del tanque (ver Figuras 12 y 13, páginas 31 y 32).
10. Instale el sello sanitario para pozos, o la unidad del adaptador deslizante de derivación, la unidad del pozo, el conducto eléctrico y la tubería de superficie según los requisitos de los códigos locales que correspondan.

### CONEXIÓN AL TANQUE/SISTEMA DE AGUA

**▲ ADVERTENCIA** Presión peligrosa. Las bombas sumergibles pueden desarrollar una presión muy alta en ciertas situaciones. Para evitar que el tanque explote, instale una válvula de desahogo de presión capaz de pasar el caudal total de la bomba a 75 psi (517 kPa) cuando use un tanque de presión de aire sobre agua. Instale una válvula de desahogo de presión capaz de pasar el caudal total de la bomba a 100 psi (690 kPa) cuando use un tanque de presión precargado. Instale esta válvula de desahogo entre la bomba y el tanque.

**▲ ADVERTENCIA** El compuesto de unión de tuberías puede causar rajaduras en el plástico. Use solamente cinta de teflón para uniones en tuberías de plástico. **AVISO:** Si se permite que la bomba o el sistema de tuberías se congele, se pueden causar daños graves a la bomba, y anulará la garantía. Proteja la bomba y todo el sistema de tuberías (incluyendo el tanque de presión) para que no se congelen.

### Conexión del tanque de presión precargado

Ver la Figura 12, página 31 para las conexiones de la tubería al tanque de presión precargado.

**AVISO:** Inspeccione la precarga de aire en el tanque antes de arrancar la bomba. Ajuste la precarga a 2 psi debajo de la graduación de activación de la bomba. (Por ejemplo, un tanque precargado que se usa con un conmutador de 30-50 se debe precargar con aire a 28 psi). Ajuste la precarga agregando o purgando el aire a través de la válvula de neumático ubicada en la parte superior del tanque. Inspeccione la precarga anualmente y ajústela según se requiera.

### Conexión del tanque estándar

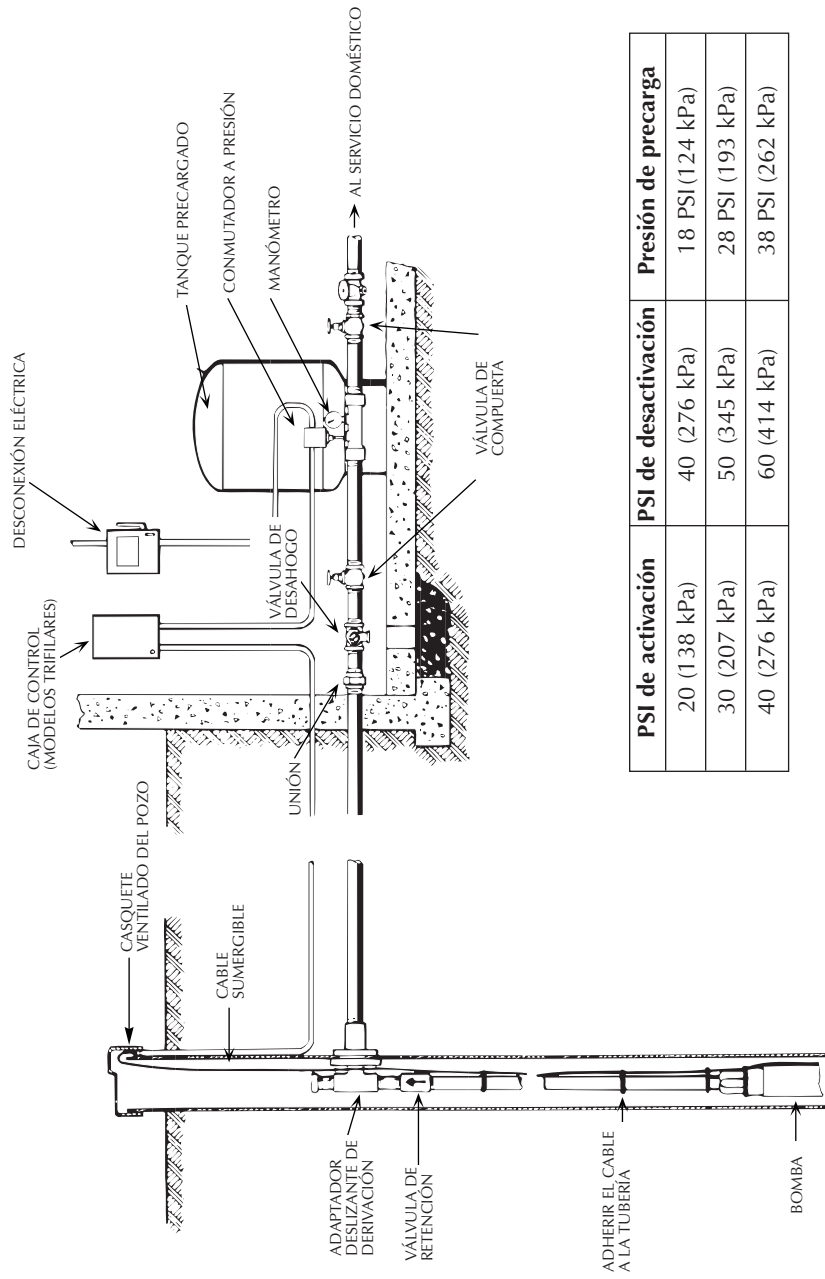
Ver la Figura 13, página 32 para las conexiones de las tuberías al tanque de presión estándar y para la distancia correcta de los orificios de purga desde el tanque de presión.

## Información eléctrica importante para la puesta a tierra

**▲ ADVERTENCIA** Tensión peligrosa. Puede causar choques, quemaduras o muerte. Para reducir el riesgo de choques eléctricos durante la operación de la bomba, póngala a tierra y conecte la bomba y el motor de la siguiente manera:

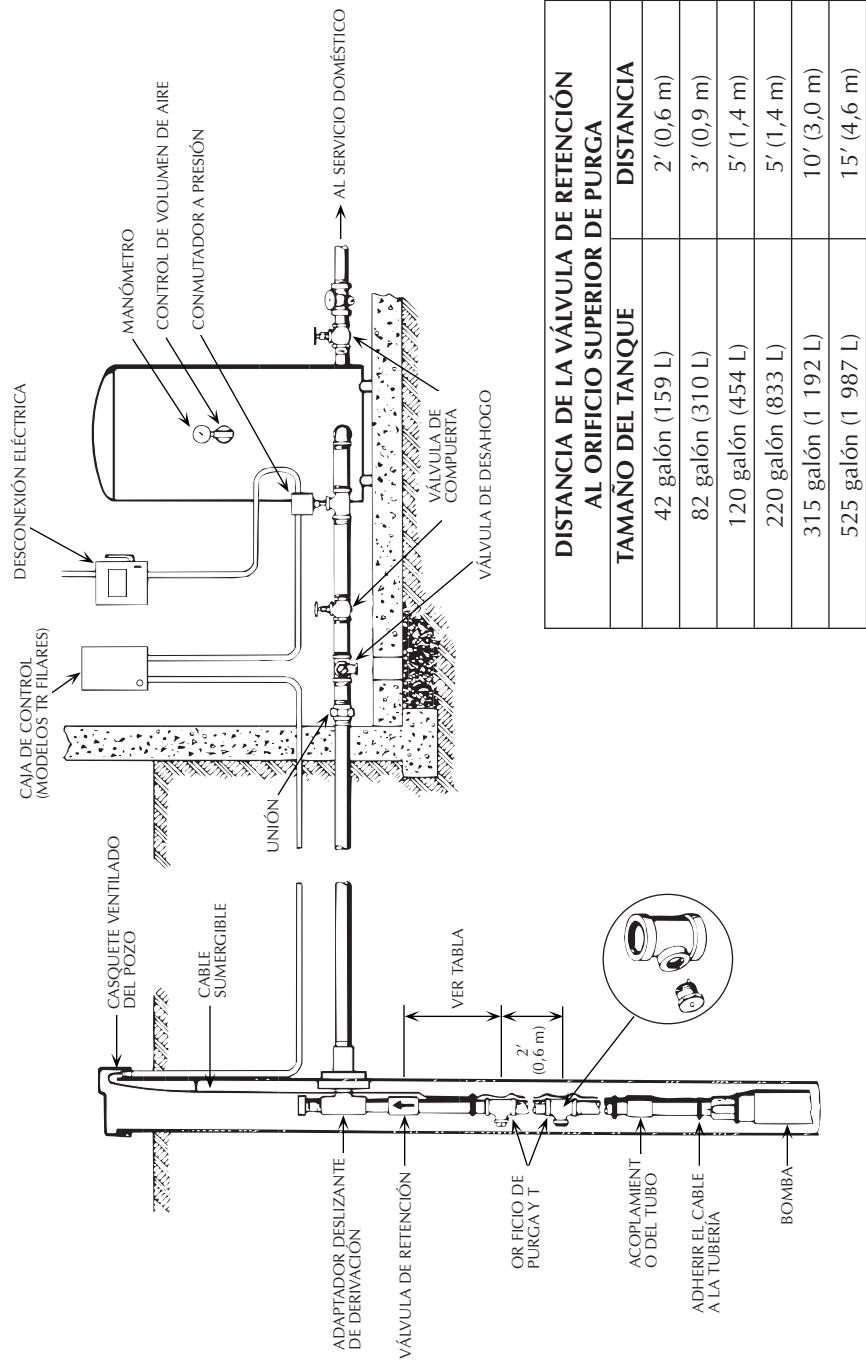
- A. Para reducir el riesgo de choques eléctricos resultantes de partes metálicas en la unidad que no sean la bomba misma, conecte todas las partes metálicas accesibles juntas en el cabezal del pozo (incluyendo el tubo metálico de descarga, el entubado metálico del pozo y partes similares). Use un conductor metálico de enlace que sea por lo menos tan grande como los conductores del cable de corriente que van desde el pozo al motor de la bomba.
- B. Afiance o suelde (o ambos si fuese necesario) este conductor de enlace al medio de puesta a tierra suministrado con la bomba, que será el borne de conexión a tierra del equipo, el conductor de puesta a tierra en la caja de la bomba o el hilo conductor de puesta a tierra del equipo. El hilo conductor de puesta a tierra del equipo, cuando éste sea provisto, será el conductor con aislamiento de color verde, también puede tener una o más líneas amarillas.
- C. Conecte la bomba, el motor y todo otro conducto metálico que lleven cables de corriente a tierra. Póngalos a tierra y al servicio, conectando un conductor de cobre desde la bomba, el motor y el conducto al tornillo de puesta a tierra suministrado dentro del compartimiento de cableado de la caja de conexión-suministro. Este conductor debe ser por lo menos tan grande como los conductores de circuito que suministran corriente a la bomba.

**Guarde estas instrucciones**



PSI de activación	PSI de desactivación	Presión de precarga
20 (138 kPa)	40 (276 kPa)	18 PSI (124 kPa)
30 (207 kPa)	50 (345 kPa)	28 PSI (193 kPa)
40 (276 kPa)	60 (414 kPa)	38 PSI (262 kPa)

Figura 12 – Instalación típica sumergible con instalación de tanque precargado



TAMAÑO DEL TANQUE	DISTANCIA
42 galón (159 L)	2' (0,6 m)
82 galón (310 L)	3' (0,9 m)
120 galón (454 L)	5' (1,4 m)
220 galón (833 L)	5' (1,4 m)
315 galón (1 192 L)	10' (3,0 m)
525 galón (1 987 L)	15' (4,6 m)

Figura 13 – Instalación del tanque de presión estándar



## GUÍA DE RESOLUCIÓN DE PROBLEMAS

PROBLEMA	INSPECCIONE	ACCIÓN CORRECTIVA
<p><b>El motor no arranca pero los fusibles no están quemados</b> No hay tensión.</p>	<p>No hay tensión en la caja de fusibles.</p> <p>No hay tensión en el conmutador a presión. No hay tensión en la caja de control.</p> <p>Cable o empalmes malos.</p> <p>La caja de control está cableada en forma incorrecta.</p>	<p>Cambie los fusibles quemados.</p> <p>Cambie el conmutador a presión defectuoso. Vuelva a cablear el suministro a la caja de control.</p> <p>Consulte con un electricista certificado o un técnico de servicio. Vuelva a conectar la caja de control en forma correcta (consulte los diagramas de cableado, páginas 6 a 8).</p>
<p><b>Los fusibles están quemados o el protector contra sobrecarga se dispara cuando arranca el motor</b></p> <p>Tamaño incorrecto del fusible o tamaño incorrecto del fusible temporizado.</p> <p>El tamaño del hilo es demasiado pequeño.</p> <p>Condensador de arranque defectuoso o quemado.</p> <p>Tensión baja o alta.</p> <p>Los cables conductores no están correctamente conectados a la caja de control.</p> <p>Hilo roto en la caja de control.</p> <p>La bomba o el motor se atasca o se trava.</p>	<p>Verifique el tamaño del fusible contra las Tablas II y III, páginas 3 y 4.</p> <p>Verifique el tamaño del fusible contra la Tabla III, página 4.</p> <p>Inspeccione la caja de control para verificar si el condensador de arranque se ha quemado.</p> <p>Verifique que la tensión de línea se encuentre dentro de <math>\pm 10\%</math> de la tensión nominal de la placa de fábrica mientras el motor está marchando.</p> <p>Verifique el diagrama de cableado de la caja de control contra la conexión de corriente de entrada. Verifique los códigos de color del cable de suspensión.</p> <p>Examine todas las conexiones y el cableado en la caja de control.</p> <p>Verifique que el rotor de la bomba no esté trabado.</p>	<p>Instale el fusible correcto o el fusible temporizado correcto.</p> <p>Instale el hilo del tamaño correcto.</p> <p>Cambie el condensador de arranque.</p> <p>Si la variación de tensión es más de <math>\pm 10\%</math>, llame a la empresa de energía para ajustar la tensión.</p> <p>Vuelva a conectar el cable de suspensión para que los códigos de color del cable correspondan con los códigos de color del conductor del motor.</p> <p>Desconecte la corriente y repare y cambie el hilo defectuoso. Si es necesario, saque la bomba (realice primero todos los chequeos posibles en la superficie). Si la bomba está trabada, cámbiela. Limpie el pozo de todo vestigio de arena o cal antes de volver a instalar la bomba.</p>
<p><b>Los fusibles están quemados o el protector contra sobrecarga se dispara cuando el motor está en marcha</b></p> <p>Tensión baja o alta.</p> <p>Temperatura ambiente (atmosférica) alta.</p> <p>Caja de control con clasificación de tensión o caballaje incorrectos.</p> <p>Tamaño del hilo demasiado pequeño.</p> <p>Empalmes del cable o conductores del motor puestos a tierra, en cortocircuito o abiertos.</p>	<p>Verifique que la tensión de línea se encuentre dentro de <math>\pm 10\%</math> de la tensión nominal de la placa de fábrica mientras el motor está marchando.</p> <p>Verifique la temperatura de la caja de control.</p> <p>Compare la tensión y el caballaje en la placa de fábrica del motor con los indicados en la placa de fábrica de la caja de control o en el diagrama de circuito dentro de la cubierta de la caja de control.</p> <p>Verifique el tamaño del fusible contra la Tabla III, página 4.</p> <p>Consulte con un electricista certificado o con un técnico de servicio calificado.</p>	<p>Si la variación de tensión es más de <math>\pm 10\%</math>, llame a la empresa de energía para ajustar la tensión.</p> <p>No coloque la caja de control directamente expuesta a la luz del sol. Cambie la caja de control si los números no corresponden.</p> <p>Instale el hilo del tamaño correcto.</p> <p>No trate de desarmar la bomba ni el motor.</p>
<p><b>La bomba arranca con demasiada frecuencia</b></p> <p>Pérdidas en el sistema.</p> <p>Conmutador a presión.</p> <p>Tanque inundado.</p> <p>Fugas en la columna descendente.</p> <p>El conmutador a presión está demasiado lejos del tanque.</p>	<p>Inspeccione todas las conexiones del tanque con espuma de jabón para verificar que no hayan fugas de aire. Verifique que no hayan fugas en la fontanería.</p> <p>Verifique que el conmutador no esté defectuoso ni que esté desajustado.</p> <p>Tanques de aire sobre agua: verifique que no hayan fugas de aire.</p> <p>Inspeccione el Control de Volumen de Aire (CVA). Inspeccione la operación de la llave de alivio.</p> <p>Eleve la columna descendente un largo por vez hasta que el agua permanezca en el tubo. Mida la distancia desde el conmutador a presión hasta el tanque.</p>	<p>El sistema debe ser impermeable y estar hermético.</p> <p>Vuelva a ajustar o cambie el conmutador a presión.</p> <p>Tanques precargados: ajuste la presión de aire a 2 psi (13,8 kPa) menos que la presión de activación de la bomba (cuando no hay presión de agua en el sistema). Cambie la cisterna si es necesario.</p> <p>Tanques de aire sobre agua: repare o cambie los tanques; cambie las llaves de alivio si es necesario.</p> <p>Cambie la tubería encima de ese punto.</p> <p>Mueva el conmutador a una distancia de un pie del tanque.</p>

## GUÍA DE RESOLUCIÓN DE PROBLEMAS

PROBLEMA	INSPECCIONE	ACCIÓN CORRECTIVA
<b>Entrega poca agua o nada de agua</b>		
La válvula de retención del orificio de purga está atascada o se ha instalado en posición inversa (tanques estándar solamente).	Examine la válvula.	Si está atascada, libere la válvula; si se instaló en posición inversa, invíertala.
Bajo nivel de agua.	Determine el nivel de agua más bajo en el pozo mientras la bomba esté funcionando y compárelo con la graduación de profundidad de la bomba.	Baje la bomba más adentro del pozo (pero por lo menos a 5' (1,6 m) por encima del fondo del pozo). Estrangule la descarga de la bomba hasta que la descarga sea equivalente a la tasa de recuperación del pozo. <b>AVISO:</b> Si se hace marchar la bomba mientras hay bolsas de aire, existe el riesgo de que se pierda cebadura y la bomba resulte con daños graves.
Baja tensión.	Verifique la tensión en la caja de control con la bomba en marcha. Verifique el tamaño del hilo de entrada y el tamaño del hilo de suministro de corriente contra la Tabla III, página 4.	Instale un hilo más grande del contador a la caja de control. Instale un hilo más grande de la caja de control a la bomba. Si es necesario, haga que la empresa de energía eleve la tensión de suministro.
Malla de entrada obstruida.	Saque la bomba y verifique el estado de la malla.	Limpie o cambie según sea necesario.
Válvula de retención en la descarga de la bomba atascada.	Saque la bomba y examine la válvula de retención.	Libere la válvula de retención.
Impulsores y difusores gastados.	Asegúrese de que el sistema esté libre de obstrucciones y de que la bomba se encuentre en agua sólida y esté funcionando normalmente.	Cambie la bomba.
<b>Descarga de aire o de agua lechosa por los grifos</b>		
Gas en el agua del pozo.	Verifique que no haya gas en el agua del pozo.	Elimine los orificios de purga; tape los tubos en T. Asegúrese de que los tubos en T tapados no tengan fugas. Si es necesario, separe el gas del aire antes de que entre al tanque de presión.
El control de volumen del aire no funciona (tanques estándar solamente).	Asegúrese de que las aberturas y las válvulas de retención de bolas estén despejadas.	Cambie el control si es necesario.

## ADHIERA AQUÍ EL RECIBO ORIGINAL PARA VALIDACION DE GARANTÍA

SIMER garantiza al comprador consumidor original ("Comprador") de sus productos, que éstos se encuentran libres de defectos de material o mano de obra.

Si dentro de los doce (12) meses de la fecha original de la compra cualquiera de los productos demostrara estar defectuoso, el mismo será reparado o reemplazado, a opción de SIMER con sujeción a los términos y condiciones expuestos a continuación. Se requiere su recibo original de compra para determinar si se encuentra bajo garantía.

### Excepciones a la Garantía por Doce (12) Meses

<b>Producto/Modelo No.</b>	<b>Período de garantía</b>
M40P, M40, BW85P, CM10, CMK	90 días
2330, 2300, 2310, 2955, 2956, 2957, 2960, A5500	2 años
Bombas de pozo sumergibles de 4", 3984, 3983, 2975PC, 2958, 2985, 3075SS	3 años
Tanque precargado del sistema de agua, 3986, 3985, 2956	5 años
3988, 3995, 3997, 3963	De por vida

### Términos y Condiciones Generales

El comprador debe pagar todos los gastos de mano de obra y transporte necesarios para reemplazar el producto cubierto por esta garantía. Esta garantía no se aplicará a hechos de fuerza mayor, ni se aplicará a los productos que, a juicio exclusivo de SIMER, hayan sido objeto de negligencia, abuso, accidente, aplicaciones contraindicadas, manejo indebido, alteraciones; ni debido a instalación, funcionamiento, mantenimiento o almacenaje incorrectos; ni a ninguna otra cosa que no sea su aplicación, uso o servicio normales, incluyendo, pero no limitado a, fallas operacionales causadas por corrosión, oxidación u otros elementos extraños en el sistema, o funcionamiento a presión por encima del máximo recomendado.

Los pedidos de servicio bajo los términos de esta garantía serán efectuados mediante la devolución del producto defectuoso al Vendedor o a SIMER, tan pronto como sea posible, después de localizado cualquier supuesto defecto. SIMER tomará luego acción correctiva, tan pronto como sea razonablemente posible. Ningún pedido de servicio bajo esta garantía será aceptado si se recibe más de 30 días después del término de la garantía.

Esta garantía establece la obligación única de SIMER y el remedio exclusivo del comprador en el caso de productos defectuosos.

SIMER NO SERÁ RESPONSABLE POR NINGÚN DAÑO CONSECUENTE, INCIDENTAL O CONTINGENTE DE NINGUNA NATURALEZA.

LAS GARANTÍAS ANTERIORES SON EXCLUSIVAS Y REEMPLAZAN CUALESQUIERA OTRAS GARANTÍAS EXPRESAS. LAS GARANTÍAS IMPLÍCITAS, INCLUYENDO, PERO NO LIMITADAS A, LAS GARANTÍAS IMPLÍCITAS DE COMERCIABILIDAD Y APTITUD PARA UN PROPÓSITO EN PARTICULAR, NO DEBERÁN EXCEDER EL PERÍODO DE DURACIÓN DE LAS GARANTÍAS EXPRESAS APLICABLES AQUÍ PROVISTAS.

Algunos estados no permiten la exclusión o limitación de daños incidentales o consecuentes ni las limitaciones respecto a la duración de garantías implícitas; de modo que las limitaciones o exclusiones precedentes pueden no aplicarse en su caso. Esta garantía le concede derechos legales específicos. Usted puede tener, además, otros derechos que varían de un estado a otro.

**SIMER • 293 Wright Street • Delavan, WI U.S.A. 53115**  
**Teléfono: 1-800-468-7867/1-800-546-7867 • Fax: 1-800-390-5351**  
**e-Mail (correo electrónico): [info@simerpumps.com](mailto:info@simerpumps.com) • Dirección web:**  
**<http://www.simerpumps.com>**

